

TEAC


SERVICE MANUAL

SR-L250i

HI-FI TABLE RADIO/CD



NOTES

- PC board shown are viewed from parts side.
- The parts with no reference number or no parts number in the exploded views are not supplied.
- As regards the resistors and capacitors, refer to the circuit diagrams contained in this manual.
-  Parts marked with this sign are safety critical components. they must be replaced with identical components - refer to the appropriate parts list and ensure exact replacement.
- Parts of [] mark can be used only with the version designated.
[UK] - [UK]; [EUR]-Europe

CONTENTS

1 SAFETY INFORMATION	2
2 SPECIFICATIONS	3
3 ADJUSTMENT AND CHECK	4
4 EXPLODED VIEW AND PARTS LIST	8
5 PC BOARDS AND PARTS LIST	24
6 WIRING DIAGRAM	32
7 INCLUDED ACCESSORIES	34

SR-L250i

1 SAFETY INFORMATION

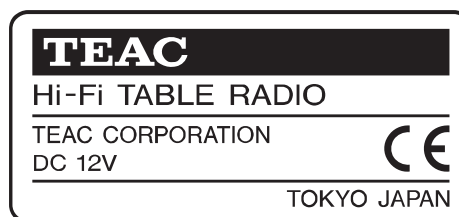
SAFETY INFORMATION

• CAUTION

USE OF CONTROLS OR ADJUSTMENT OR PERFORMANCE OF PROCEDURES OTHER THAN THOSE SPECIFIED HEREIN MAY RESULT IN HAZARDOUS RADIATION EXPOSURE.

DO NOT REMOVE THE PROTECTIVE HOUSING USING SCREWDRIVER.

IF THIS PRODUCT DEVELOPS TROUBLE, MAKE A CONTACT WITH OUR SERVICEMAN, AND DO NOT USE THE PRODUCT A TROUBLED STATE.



SERIAL
NO.

MADE IN CHINA

Optical pickup:
Type : DA23SR
Manufacturer : SANYO Electric Co.,Ltd.
Laser output : Less than 0.5mW on the objective lens
Wavelength : 760-800nm

2 SPECIFICATIONS

TUNER SECTION

Frequency Range:	FM: 87.50 MHz to 108.0 MHz	(EUR)
	76.0 MHz to 90.0 MHz, TV1 to TV3	(JP)
	AM: 522 kHz to 1620 kHz	(EUR)
	522 kHz to 1629 kHz	(JP)

SPEAKER SYSTEM Section

Type:	60 mm x 2
Impedance:	4 ohms

GENERAL

Total Output Power	4 W	
Power Requirement	AC 230V.50 Hz	(EUR)
	AC 100V.50/60 Hz	(JP)
Power Consumption	20 W	
Dimension (W x H x D)	310 x 101 x 210 mm	
Weight (net)	2.2 kg	

Standard Accessories

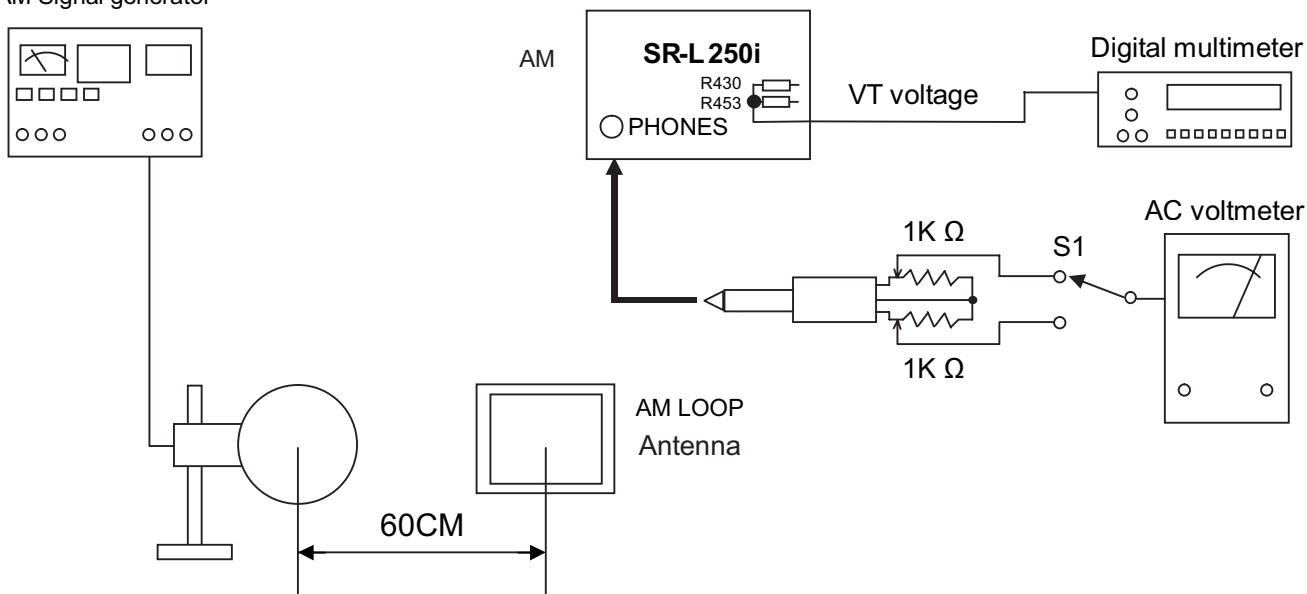
Remote Control Unit (RC-1150W or RC-1150B) x1	(EUR)	
	(RC-1187W or RC-1187B) x1	(JP)
Battery for Remote Control Unit (AAA) x 2		
Battery for Memory Backup (CR2032) x1		
AM loop antenna x 1		
Dock adapter x 6 (adapter "60GB(color) + photo 40/60GB" premounted)		
Stereo mini plug cable x 1		
AC Adapter x 1		
Owner's Manual x 1		
Warranty Card x 1	(EUR)	

- Design and specifications are subject to change without notice.
- Weight and dimensions are approximate.
- Illustrations may differ slightly from production models.

3-2-1 AM TUNER

ITEM	SG SETTING				TUNER SETTING	ADJUSTMENTS	MEASURING POINTS. RESULT
	Audio	Modulation	Frequency	Output			
1.VOLTAGE adjustment					1620KHz(EUR) 1629KHz(JP)	L402 AM OSC coil	VT 8.8-9.2V
					522KHz	Check	
2.IFT adjustment	1KHz	30%	450KHz	76dBuV	603KHz	L401 AM IFT coil	Maximun output level
3.ANT Coil adjustment	1KHz	30%	603KHz	76dBuV	603KHz	L405 AM ANT coil	Maximun output level
4.Adjustment	1KHz	30%	1404KHz	76dBuV	1404KHz	Check	Maximun output level

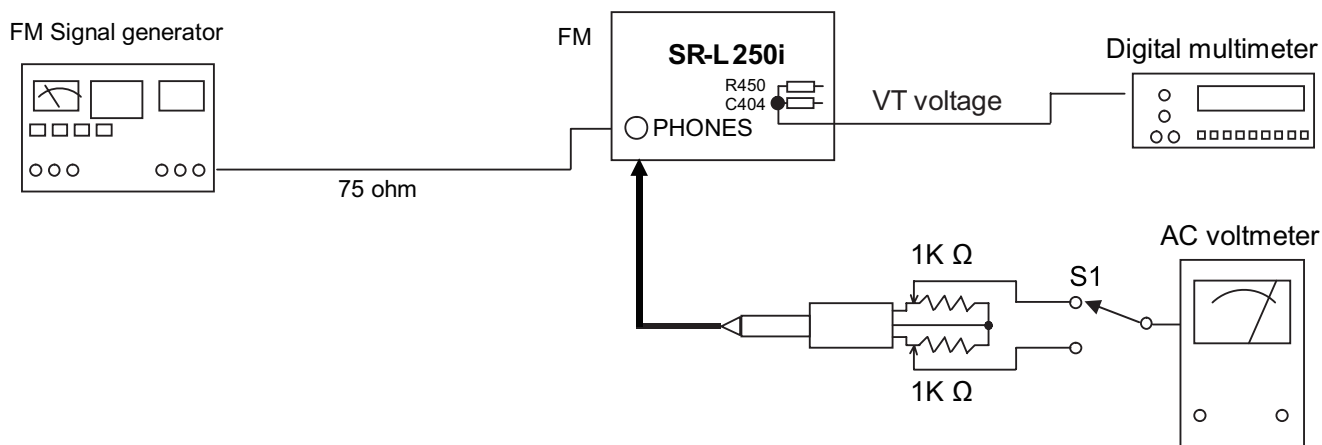
AM Signal generator



SR-L250i

3-2-2 FM TUNER

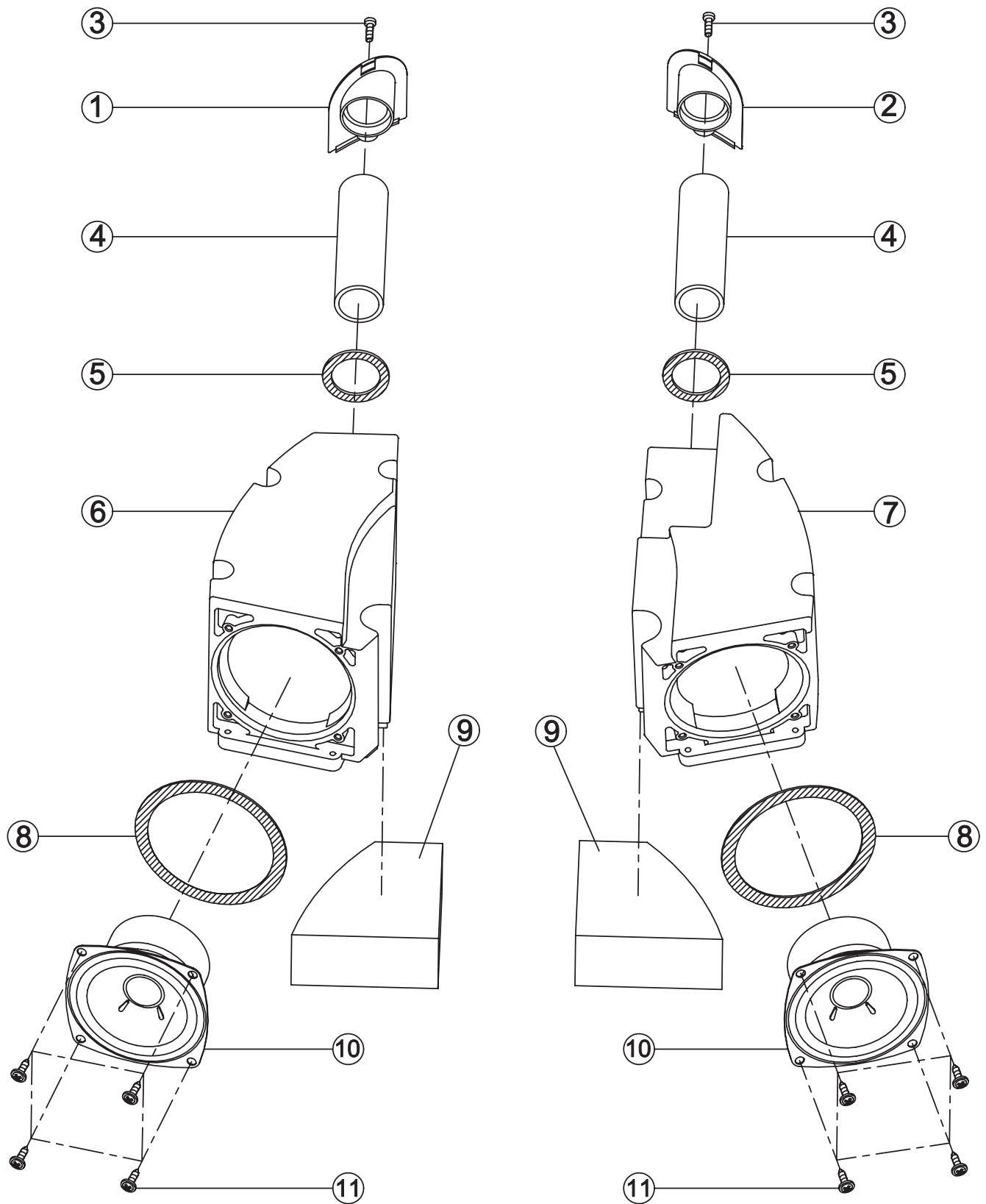
ITEM	SG SETTING				TUNER SETTING	ADJUSTMENTS	MEASURING POINTS. RESULT
	Audio	Modulation	Frequency	Output			
1.VOLTAGE					108MHz (EUR) TV3 CH (JP)	Check	VT 7+/-0.5V
					87.5MHz (EUR) 76 MHz (JP)	Check	
2.ANT Coil	1KHz	22.5kHz	90.1MHz (CUR) 78 MHz (JP)	76dBuV	90.1MHz (EUR) 78 MHz (JP)	Check	Maximun output level
3.Adjustment	1KHz	22.5kHz	106.1MHz (CUR) 88 MHz (JP)	76dBuV	106.1MHz (EUR) 88 MHz (JP)	Check	Maximun output level



SR-L250i

4 EXPLODED VIEWS AND PARTS LIST

EXPLODE VIEW-1

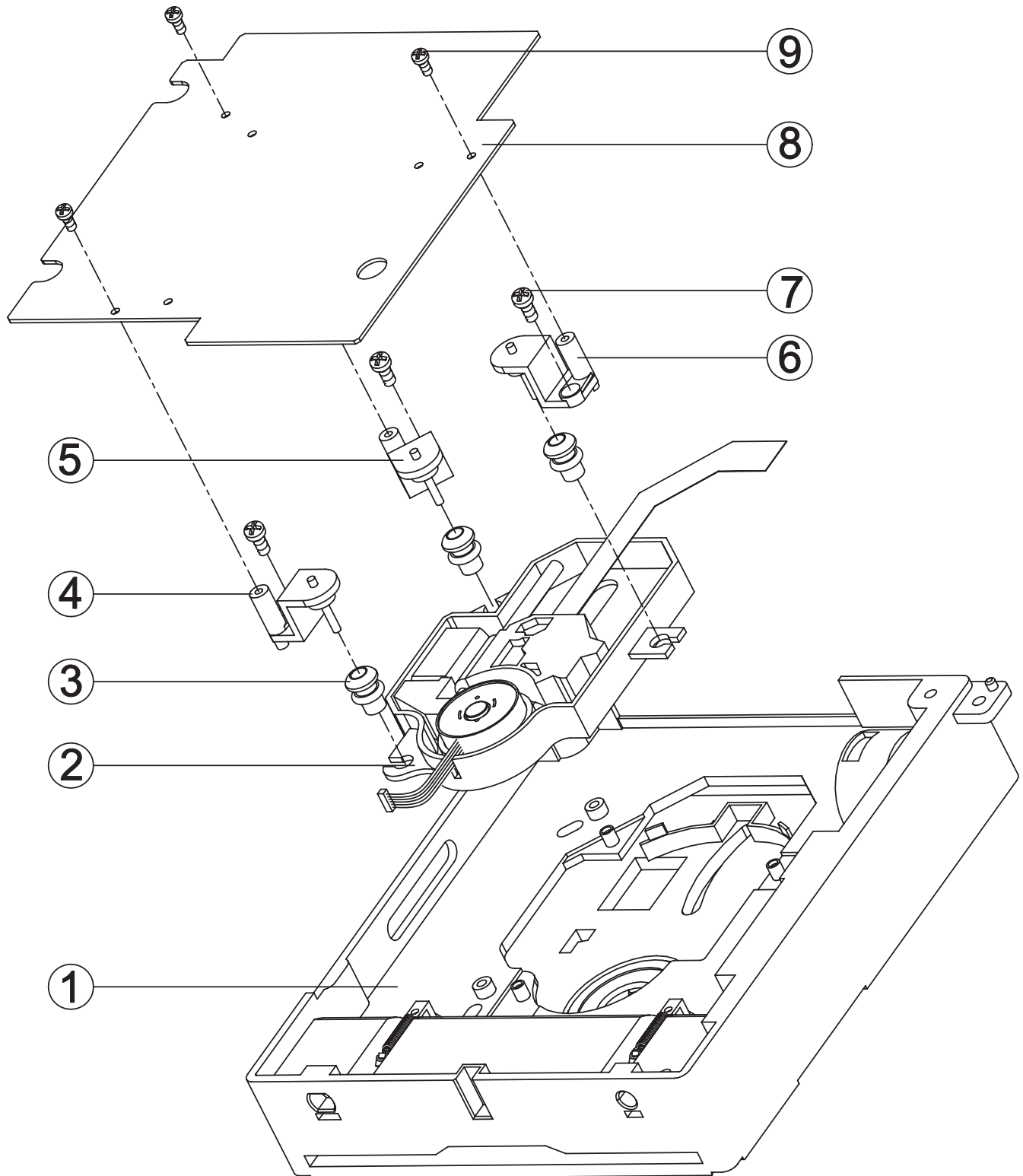


EXPLODED VIEW-1 PARTS LIST

REF.NO	TEAC PARTS NO.	PARTS NO.	DESCRIPTION	REMARK
1-1		010-250B0900-R	DUCT COVER <L> (COLOR:BLACK)	
		010-230W0300-R	DUCT COVER <L> (COLOR:WHITE)	
1-2		010-250B1000-R	DUCT COVER <R> (COLOR:BLACK)	
		010-230W0400-R	DUCT COVER <R> (COLOR:WHITE)	
1-3		023-23010033-R	SCREW ϕ 3X10MM BB BLACK HD	
		023-23010031-R	SCREW ϕ 3X10MM BB NI HD	
1-4		044-R230i051-R	SPEAKER PAPER TUBE ϕ 18X ϕ 22X80MM	
1-5		035-R230i102-R	DUCT COVER L/R EVA SHEET	
1-6		010-230i0100-R	SPEAKER BOX L	
1-7		010-250i0200-R	SPEAKER BOX R	
1-8		035-R230i012-R	R/L SPEAKER EVA WASHER	
1-9		099-39R230i1-R	ABSORB COTTON A	
1-10		061-230i0400-R	SPEAKER 2.5" 4 OHM 5-8W	
1-11		024-43008033-R	SCREW ϕ 3X8MM PWA BLACK HD	

SR-L250i

EXPLODE VIEW-2

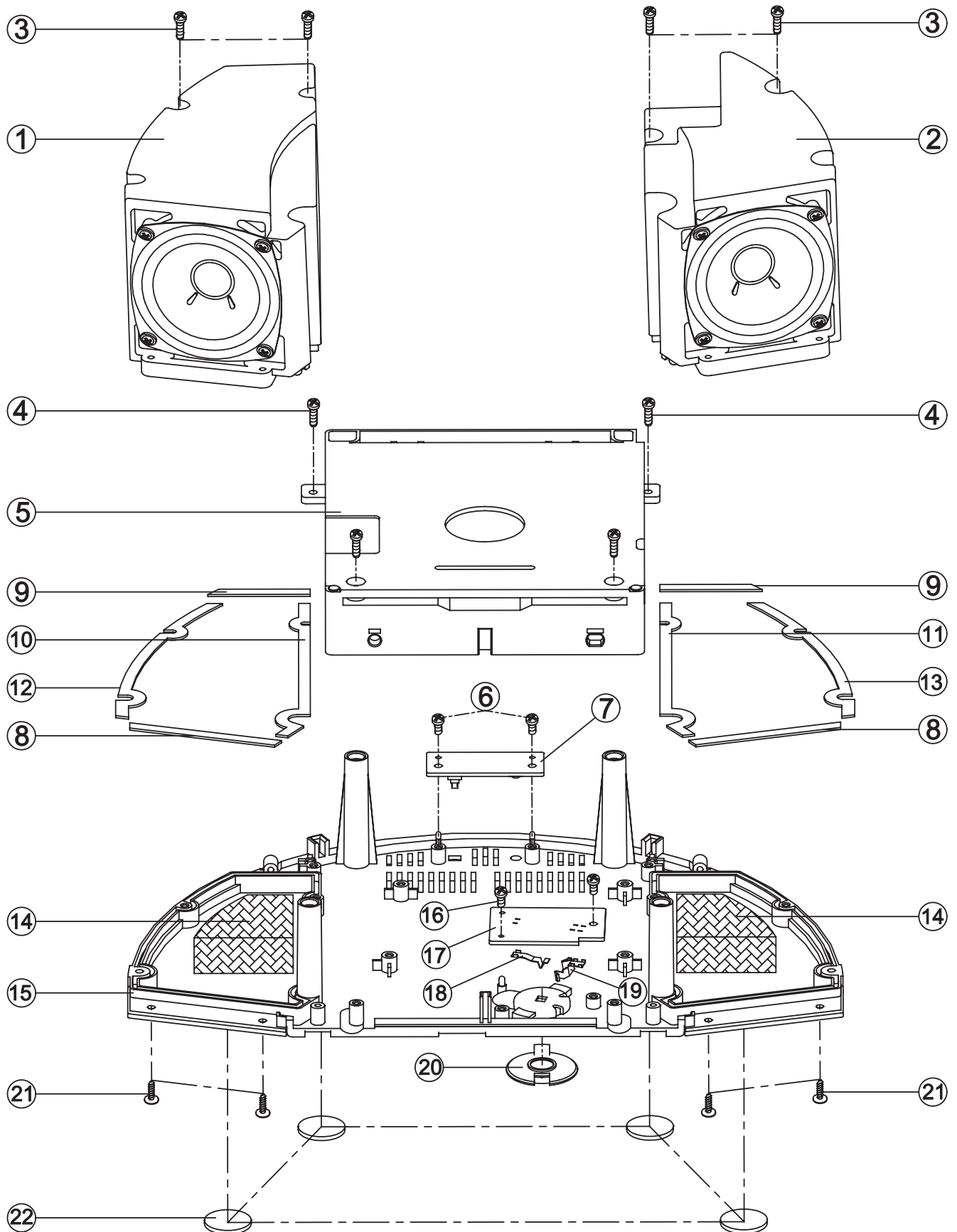


EXPLODED VIEW-2 PARTS LIST

REF.NO	TEAC PARTS NO.	PARTS NO.	DESCRIPTION	REMARKS
2-1		039-250i1111-R	CD DECK BASE	
2-2		039-250i0110-R	CD PICK UP:DA23SR	
2-3		037-SR350300-R	CD RUBBER	
2-4			CD PICK UP HOLDER 1C	
2-5			CD PICK UP HOLDER 2A	
2-6			CD PICK UP HOLDER 3A	
2-7			SCREW $\phi 2.0 \times 6$ MM PWB NI HD	
2-8		100-250i1050-R	CD PCB ASSY	
2-9		023-42606032-R	SCREW $\phi 2.6 \times 6$ MM BB ZMC HD	

SR-L250i

EXPLODE VIEW-3

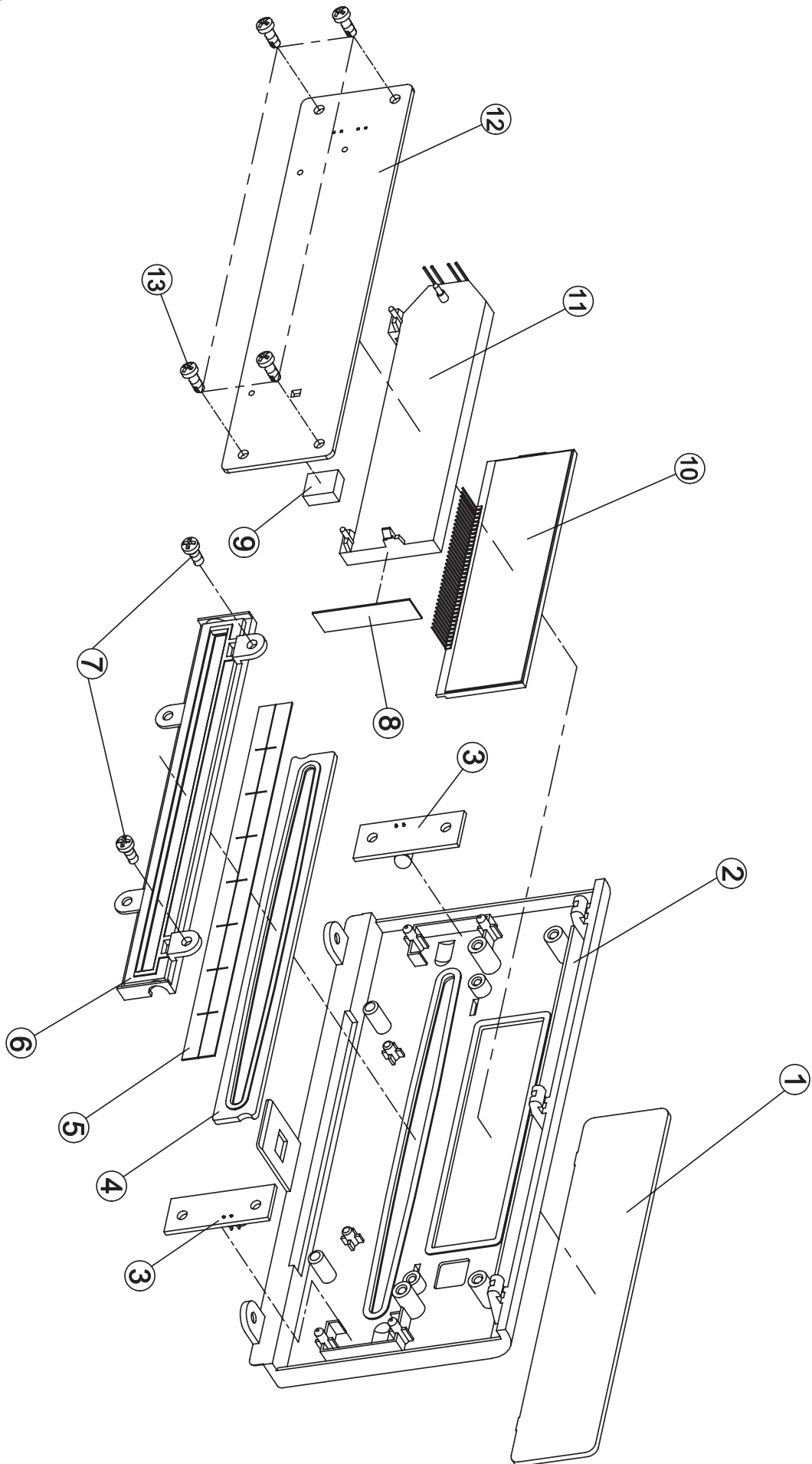


EXPLODED VIEW-3 PARTS LIST

REF.NO	TEAC PARTS NO.	PARTS NO.	DESCRIPTION	REMARKS
3-1			SPEAKER BOX L ASSY	
3-2			SPEAKER BOX R ASSY	
3-3		023-23010033-R	SCREW ϕ 3X10MM BB BLACK HD	
3-4		023-23010032-R	SCREW ϕ 3X10MM BB ZMC HD	
3-5			CD DECK ASSY	
3-6		023-23008032-R	SCREW ϕ 3X8MM BB ZMC HD	
3-7		100-250i1090-R	CD DOOR SWITCH PCB ASSY	
3-8		035-R230i022-R	SPEAKER BOX EVA SHEET <A>	
3-9		035-R230i032-R	SPEAKER BOX EVA SHEET 	
3-10		035-R230i042-R	SPEAKER BOX EVA SHEET <C>	
3-11		035-R230i052-R	SPEAKER BOX EVA SHEET <D>	
3-12		035-R230i062-R	SPEAKER BOX EVA SHEET <E>	
3-13		035-R230i072-R	SPEAKER BOX EVA SHEET <F>	
3-14		099-39R230i1-R	ABSORB COTTON A	
3-15		002-250B0100-R	BOTTOM CASE PANEL (COLOR:BLACK)	
		002-250W0100-R	BOTTOM CASE PANEL (COLOR:WHITE)	
3-16		023-23006032-R	SCREW ϕ 3X6MM BB ZMC HD	
3-17		100-230i2060-R	MEMORY BATTERY PCB ASSY	
3-18		020-300i0100-R	MEMORY BATTERY SPRING (-VE)	
3-19		020-300i0000-R	MEMORY BATTERY SPRING (+VE)	
3-20		010-250B0600-R	MEMORY BATTERY COVER (COLOR:BLACK)	
		010-230W0600-R	MEMORY BATTERY COVER (COLOR:WHITE)	
3-21		023-33010033-R	SCREW ϕ 3X10MM KB BLACK HD	
		023-33010031-R	SCREW ϕ 3X10MM KB NI HD	
3-22		037-230i0100-R	RUBBER FOOT	

SR-L250i

EXPLODE VIEW-4

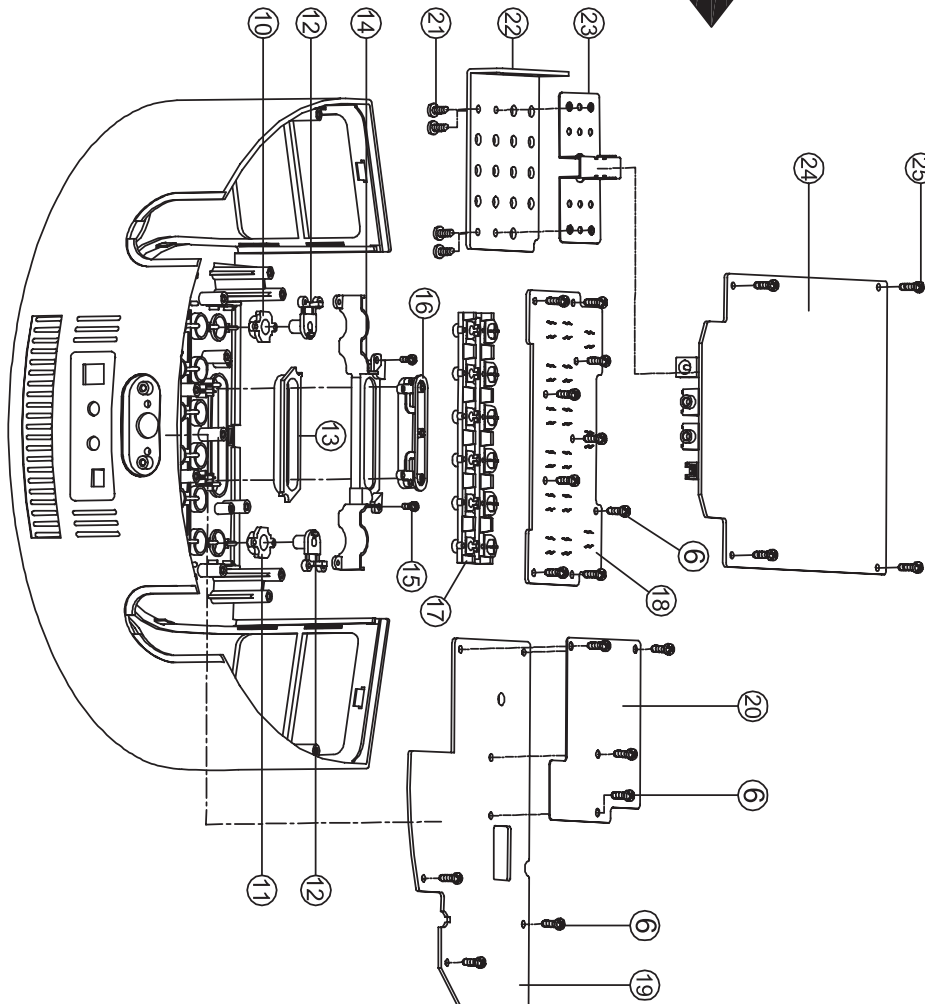
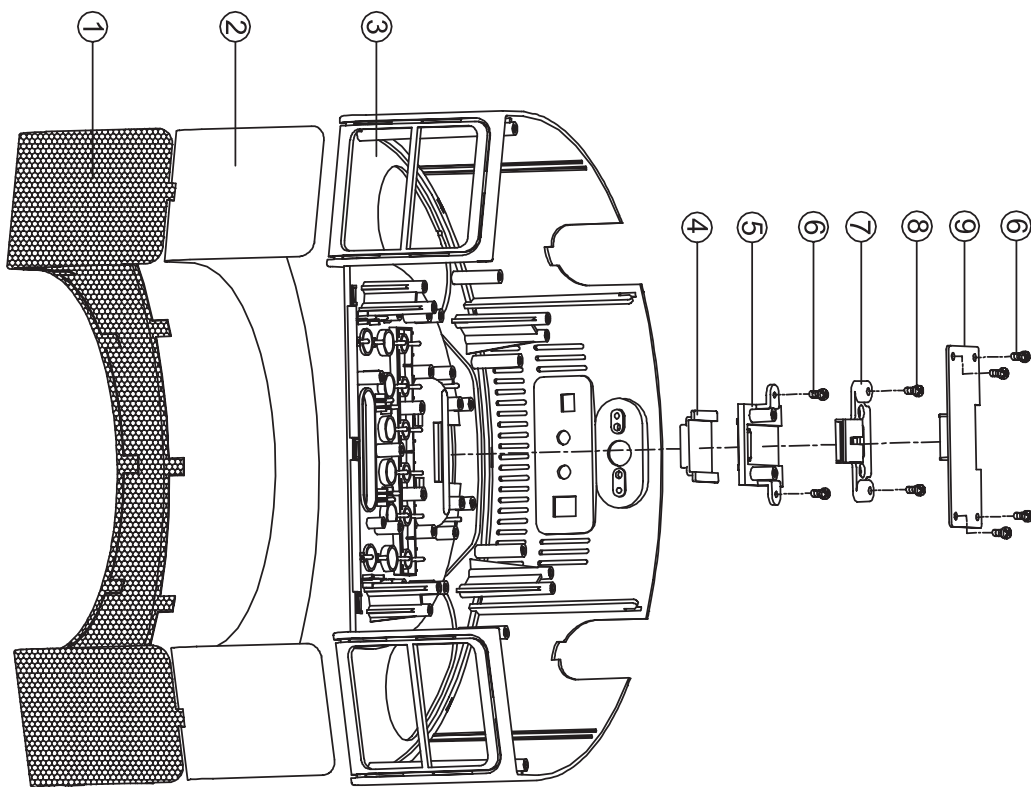


EXPLODED VIEW-4 PARTS LIST

REF.NO	TEAC PARTS NO.	PARTS NO.	DESCRIPTION	REMARKS
4-1		007-250B0100-R	LCD DISPLAY WINDOW (COLOR:BLACK)	EUR/UK
		007-250S0100-R	LCD DISPLAY WINDOW (COLOR:WHITE)	
		007-250BJ100-R	LCD DISPLAY WINDOW (COLOR:BLACK)	JT
		007-250SJ100-R	LCD DISPLAY WINDOW (COLOR:WHITE)	
4-2		001-250B0100-R	FRONT PANEL (COLOR:BLACK)	
		001-250W0100-R	FRONT PANEL (COLOR:WHITE)	
4-3			CD DOOR LED PCB ASSY	
4-4		007-250i0500-R	CD DOOR LENS	
4-5		035-R250B134-R	CD DOOR CUSHION	
4-6		010-250i0300-R	CD INSERT HOLDER	
4-7		023-92605032-R	SCREW ϕ 2.6X5MM CB ZMC HD	
4-8		035-R250i082-R	LCD DISPLAY WINDOW EVA	
4-9		035-R250i112-R	SENSOR EVA CUSHION	
4-10		080-R250i001-R	LCD DISPLAY	
4-11		009-250i0100-R	LCD BACK LIGHT HOLDER	
4-12		100-250i1030-R	LCD DISPLAYER PCB ASSY	
4-13		023-23010032-R	SCREW ϕ 3X10MM BB ZMC HD	

SR-L250i

EXPLODE VIEW-5

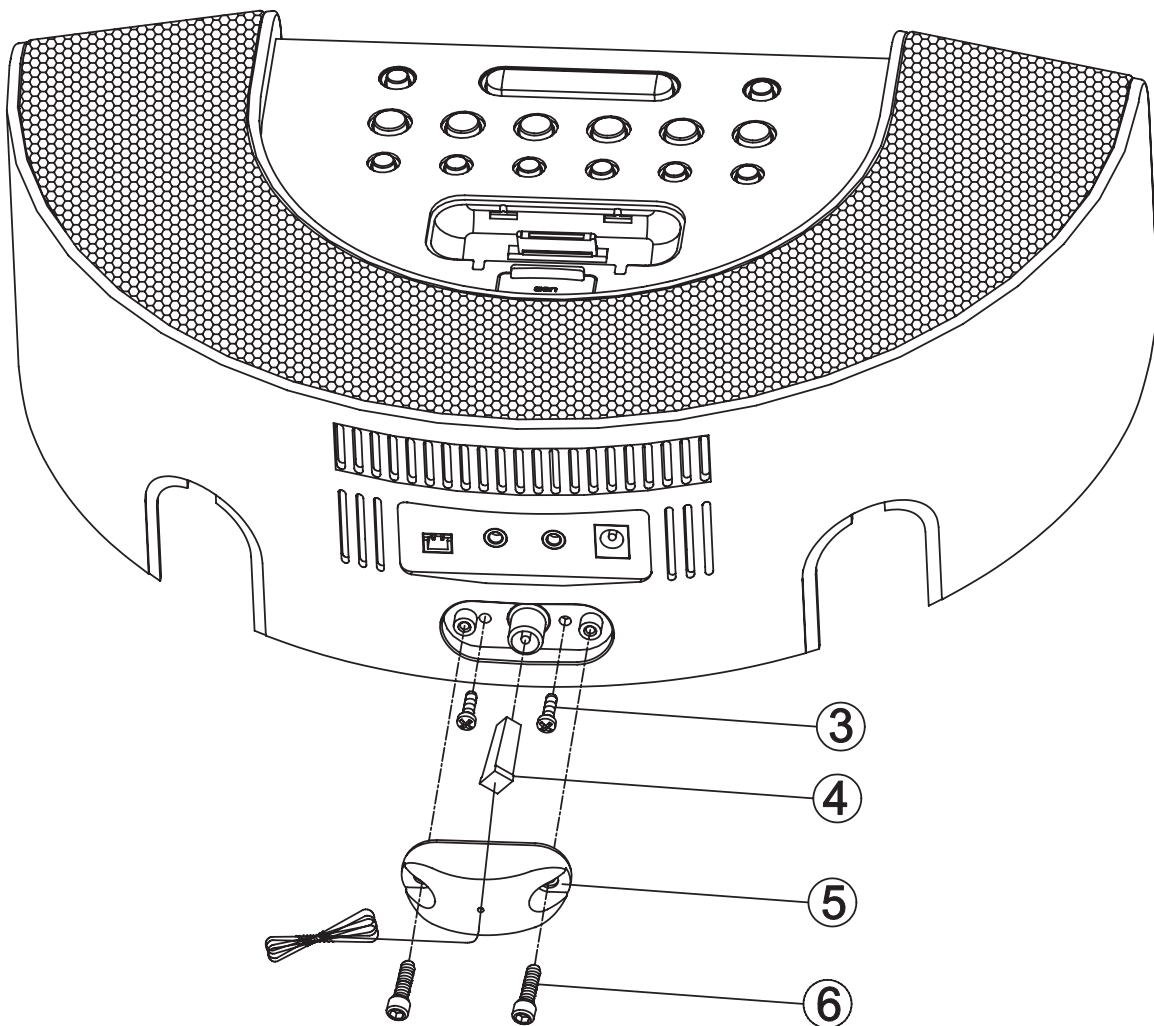
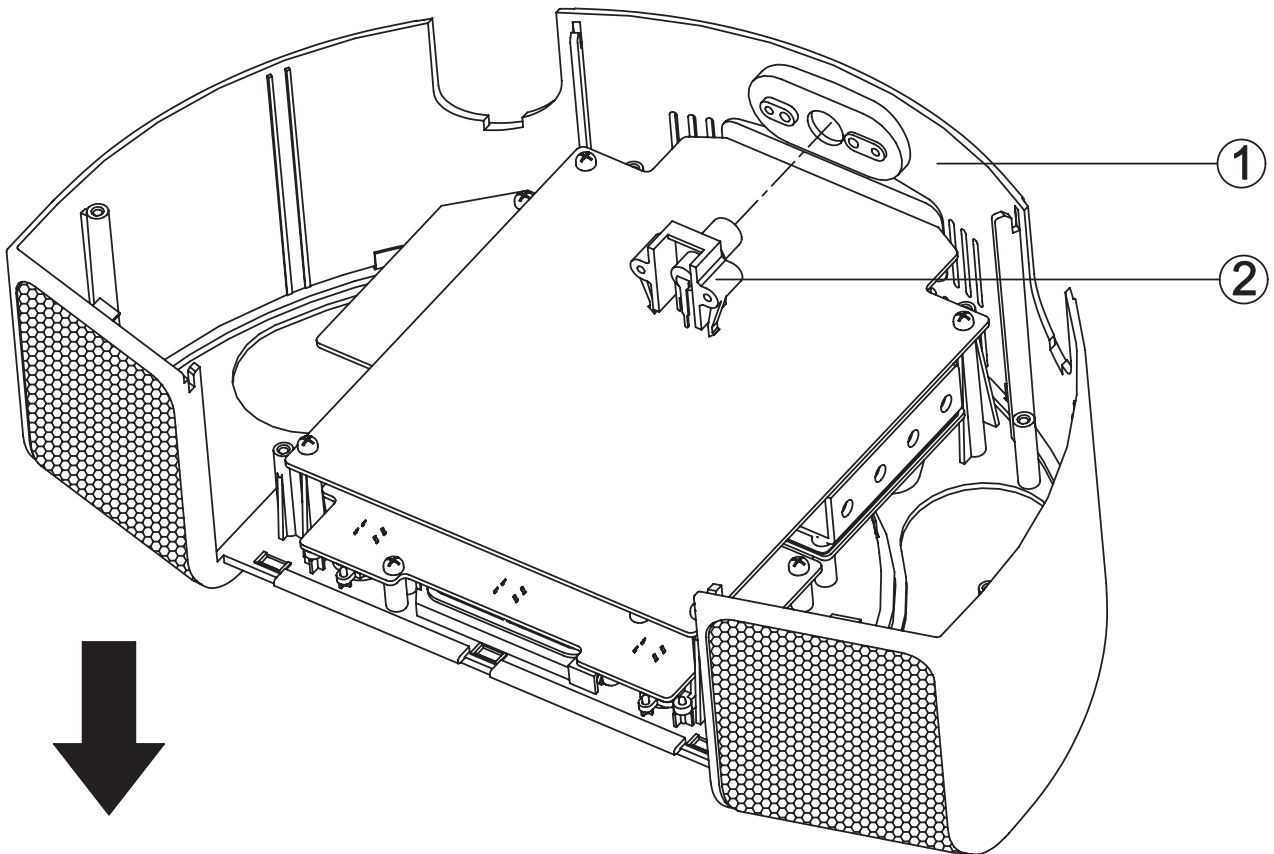


EXPLODED VIEW-5 PARTS LIST

REF.NO	TEAC PARTS NO.	PARTS NO.	DESCRIPTION	REMARKS
5-1		020-250B0100-R	SPEAKER METAL NET (COLOR:BLACK)	
		020-250S0100-R	SPEAKER METAL NET (COLOR:SILVER)	
5-2		051-R230i001-R	SPEAKER METAL NET HIMERON	
5-3		001-250B0200-R	TOP CASE PANEL (COLOR:BLACK)	
		001-250W0200-R	TOP CASE PANEL (COLOR:WHITE)	
5-4		010-250B0400-R	USB COVER (COLOR:BLACK)	
		010-250W0400-R	USB COVER (COLOR:WHITE)	
5-5		010-250B0500-R	USB BASE (COLOR:BLACK)	
		010-250W0500-R	USB BASE (COLOR:WHITE)	
5-6		023-23008032-R	SCREW ϕ 3X8MM BB ZMC HD	
5-7		010-250B0700-R	iPod DOCK LOCK (COLOR:BLACK)	
		010-230W0700-R	iPod DOCK LOCK (COLOR:WHITE)	
5-8		023-23006032-R	SCREW ϕ 3X6MM BB ZMC HD	
5-9		100-230i2070-R	iPod JACK PCB ASSY	
5-10		007-230i0300-R	STANDBY BUTTON RING LENS	
5-11		007-230i0400-R	CD OPEN/CLOSE BUTTON RING LENS	
5-12		004-250S0300-R	STANDBY BUTTON/CD OPEN/CLOSE BUTTON	
5-13		007-230i0200-R	SNOOZE BUTTON RING LENS	
5-14		010-230i0500-R	SNOOZE BUTTON LENS COVER	
5-15		023-42606032-R	SCREW ϕ 2.6X6MM BB ZMC HD	
5-16		004-250S0200-R	SNOOZE BUTTON	
5-17		004-250S0100-R	FUNCTION BUTTON	
5-18		100-250i1020-R	KEY FUNCTION PCB ASSY	
5-19		100-250i1040-R	TUNER PCB ASSY (EUR version)	EUR
		100-250i1070-R	TUNER PCB ASSY(JP version)	JP
5-20		015-250i0100-R	TUNER PCB ADIABATIC SHEET	
5-21		024-23008032-R	SCREW ϕ 3X8MM BA ZMC HD	
5-22		018-R250i020-R	POWER IC HEAT SINK B	
5-23		018-R250i010-R	POWER IC HEAT SINK A	
5-24		100-250i1010-R	MAIN PCB ASSY (EUR version)	EUR
		100-250i1060-R	TUNER PCB ASSY(JP version)	JP
5-25		023-23010032-R	SCREW ϕ 3X10MM BB ZMC HD	

SR-L250i

EXPLODE VIEW-6

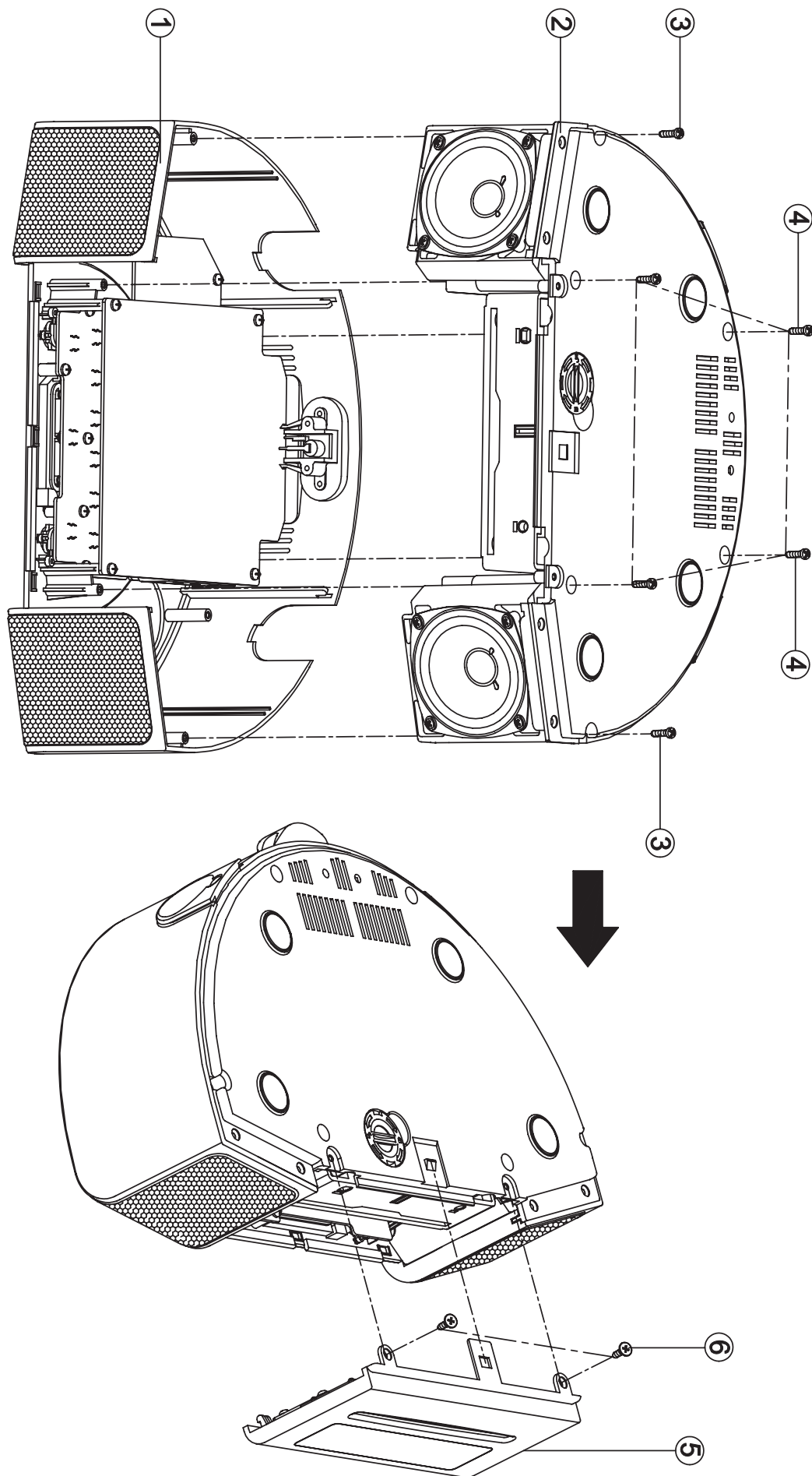


EXPLODED VIEW-6 PARTS LIST

REF.NO	TEAC PARTS NO.	PARTS NO.	DESCRIPTION	REMARKS
6-1			TOP PANEL ASSY	
6-2		086-GF290011-R	FM ANT JACK TR-0001	
6-3		023-13010033-R	SCREW ϕ 3X10MM PB BLACK HD	
6-4		089-00000B23-R	UL1007 26AWG 2P P=2.5MM L=2000MM BLACK	
		089-00000W23-R	UL1007 26AWG 2P P=2.5MM L=2000MM WHITE	
6-5		010-910B0100-R	FM ANT COVER (COLOR:BLACK)	
		010-910W0100-R	FM ANT COVER (COLOR:WHITE)	
6-6		025-SD910011-R	SPECIAL SCREW ϕ 3X10MM NI HD	

SR-L250i

EXPLODE VIEW-7

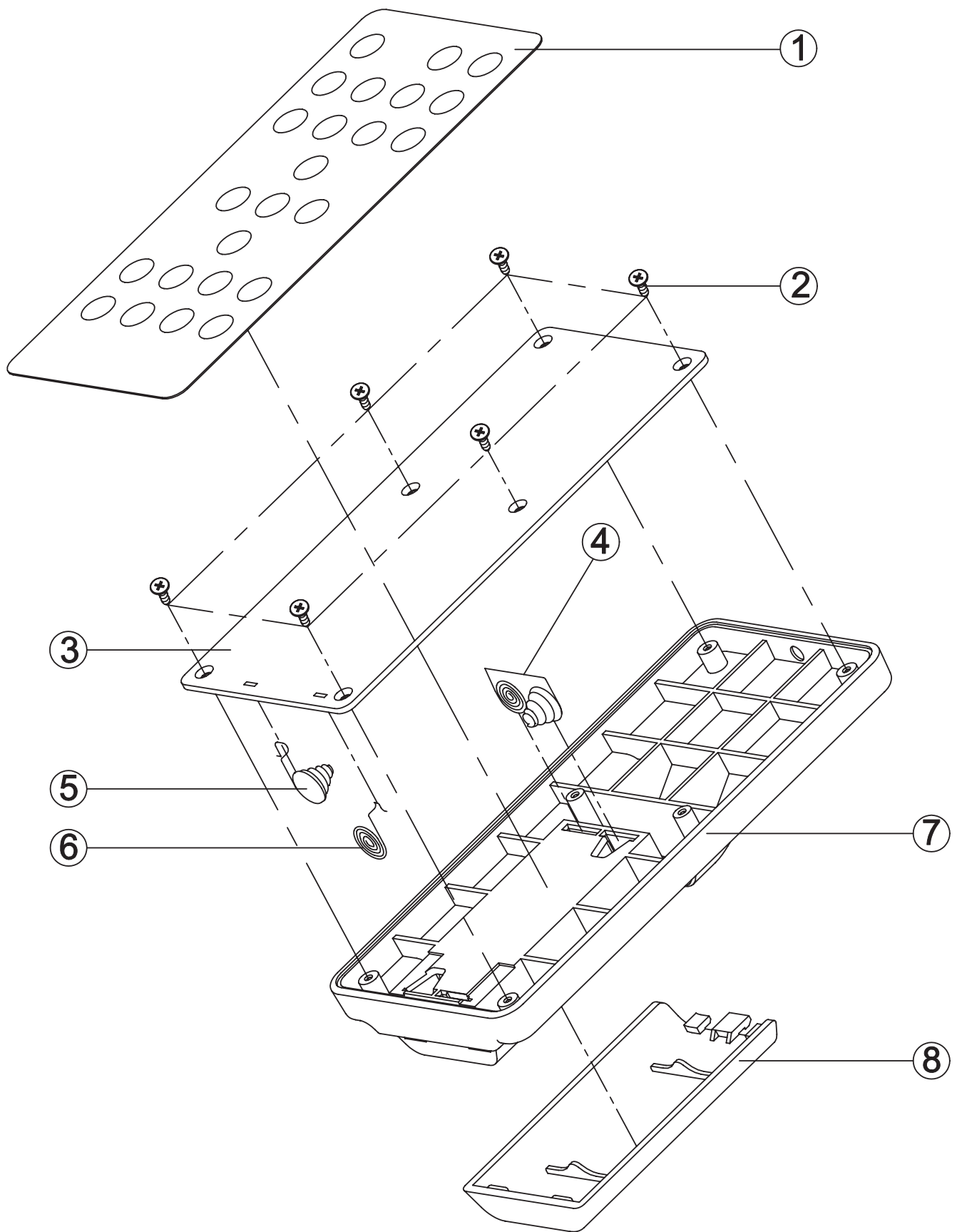


EXPLODED VIEW-7 PARTS LIST

REF.NO	TEAC PARTS NO.	PARTS NO.	DESCRIPTION	REMARKS
7-1			TOP PANEL ASSY	
7-2			BOTTOM CASE ASSY	
7-3		023-23012033-R	SCREW ϕ 3X12MM BB BLACK HD	
		023-23012031-R	SCREW ϕ 3X12MM BB NI HD	
7-4		023-23012033-R	SCREW ϕ 3X12MM BB BLACK HD	
7-5			FRONT PANEL ASSY	
7-6		023-33010033-R	SCREW ϕ 3X10MM KB BLACK HD	
		023-33010031-R	SCREW ϕ 3X10MM KB NI HD	

SR-L250i

EXPLODE VIEW-8



EXPLODED VIEW-8 PARTS LIST

REF.NO	TEAC PARTS NO.	PARTS NO.	DESCRIPTION	REMARKS
8-1		015-250B0100-R	HANDSET PVC SHEET (COLOR:BLACK)	EUR/UK
		015-250W0100-R	HANDSET PVC SHEET (COLOR:WHITE)	
		015-250BJ100-R	HANDSET PVC SHEET (COLOR:BLACK)	JT
		015-250WJ100-R	HANDSET PVC SHEET (COLOR:WHITE)	
8-2		024-31405033-R	SCREW Φ 1.4X5MM KA BLACK HD	
8-3		100-230i2080-R	REMOTE CONTROL PCB ASSY	
8-4		031-230i0110-R	BATTERY SPRING (+/-VE)	
8-5		031-230i0310-R	BATTERY SPRING (-VE)	
8-6		031-230i0210-R	BATTERY SPRING (+VE)	
8-7		003-250B0100-R	HANDSET BOTTOM COVER (COLOR:BLACK)	
8-8		003-230W0100-R	HANDSET BOTTOM COVER (COLOR:WHITE)	
		003-250B0200-R	HANDSET BOTTOM DOOR (COLOR:BLACK)	
		003-230W0200-R	HANDSET BOTTOM DOOR (COLOR:WHITE)	

SR-L250i

5 PC BOARDS AND PARTS LIST

MAIN PCB ASSY

REF.NO	TEAC PARTS NO.	PARTS NO.	DESCRIPTION	REMARKS
		100-250i1010-R	MAIN PCB ASSY (EUR version)	EUR
		100-250i1070-R	TUNER PCB ASSY(JP version)	JP
D1		062-R250i001-R	MAIN PCB 167×136MM 94V-0 REV:00	
D3,4,9,10,12		077-70SS1201-R	DIODE SS12	
		077-10400201-R	DIODE 1N4002	
D5,6,8,11,13		077-00414801-R	DIODE 1N4148	
CN1,CN14		082-10700100-R	CONNECTOR 7PIN P=2.0MM 180°	
CN2,CN11		082-10800100-R	CONNECTOR 8PIN P=2.0MM 180°	
CN3		082-20300100-R	CONNECTOR 3PIN P=2.0MM 90°	
CN4		082-10240100-R	CONNECTOR 2PIN P=2.5MM 180°	
CN5		082-20340100-R	CONNECTOR 3PIN P=2.5MM 90°	
CN6		082-20600100-R	CONNECTOR 6PIN P=2.0MM 90°	
CN7		082-32230100-R	FPC CONNECTOR 22PIN P=1.0MM 180°	
CN8		082-20240100-R	CONNECTOR 2PIN P=2.5MM 90°	
CN9		082-10540100-R	CONNECTOR 5PIN P=2.5MM 180°	
CN13		082-10400100-R	CONNECTOR 4PIN P=2.0MM 180°	
C7		072-30220251-R	E/C CAP 2200UF/25V M (Φ16×32MM)	
C33,50,78,79,80		072-30100161-R	E/C CAP 1000UF/16V M (Φ10×12MM)	
C75		072-30470251-R	E/C CAP 4700UF/25V M (Φ16×32MM)	
IC1		075-00688839-R	IC:OTI 6888-G	
I				
C2		075-00462712-R	IC:LA4627	
IC3		075-86FS4931-R	IC:TMP86FS49AUG	
IC4		075-27B51239-R	IC:AT27BV512-70NS	
IC5		075-00780501-R	IC:KIA7805API 618	
IC6		075-LM324S22-R	IC:LM324-S	
IC7		075-RT970169-R	IC:RT9701CB	
IC8		075-PT231429-R	IC:PT2314/SC7314	
IC9		075-11175069-R	IC:LM1117S-5.0V	
L1,2,3,7,9,10,12, L13,L15		052-08356001-R	HORIZONTAL FERRITE CORE: Φ0.8×Φ3.5×6MM	
L4		095-00100001-R	INDUCTOR 10uH 0.5W	
L5,L6		052-SRL50010-R	HORIZONTAL FERRITE CORE	
L8,L11,L14,L16		095-01000001-R	INDUCTOR 100UH 0.5W	
Q1,9,21		076-00A73300-R	TRANSISTOR:2SA733	
Q11,27		076-00D88200-R	TRANSISTOR:2SD882	
Q13,17		076-00B77200-R	TRANSISTOR:2SB772	
Q19		076-0A102000-R	TRANSISTOR:2SA1020	
Q26		076-00B54400-R	TRANSISTOR:2SB544	
Q2,3,8,10,12,14, Q15,16,18,20,22, Q23,24,25		076-00C94500-R	TRANSISTOR:2SC945	
JK1		064-20110102-R	DC JACK Φ2.0MM MODEL: TD0202-20G	
JK2		064-35020111-R	AUX JACK Φ3.5MM MODEL: E-03506S-05	
JK3		064-35020101-R	HEADPHONE JACK Φ3.5MM MODEL: TE-03506S-11	
XT1		093-08000002-R	XTAL 8MHz	
XT2		093-A0327682-R	XTAL 32.768KHz	
XT3		093-11431802-R	XTAL 14.318MHz	
ZD2		077-3006B10H-R	ZENER DIODE 5.6V 0.5W MODEL: HZ6B1	
ZD3		077-3011A30H-R	ZENER DIODE 10V 0.5W MODEL: HZ11A3	
ZD4		077-3007B10H-R	ZENER DIODE 6.8V 0.5W MODEL: HZ7B1	
ZD5		077-3004B20H-R	ZENER DIODE 3.9V 0.5W MODEL: HZ4B2	
ZD6		077-3009B20H-R	ZENER DIODE 8.6V 0.5W MODEL: HZ9B2	

SR-L250i

TURNER PCB ASSY

REF.NO	TEAC PARTS NO.	PARTS NO.	DESCRIPTION	REMARKS
		100-250i1040-R	TUNER PCB ASSY (EUR version)	EUR
		100-250i1070-R	TUNER PCB ASSY(JP version)	JP
C453		062-R250i004-R	TUNER PCB: 204×113MM 94-HB REV:00	
CF401,CF402		072-30100161-R	E/C CAP 1000UF/16V M (Φ10×12MM)	
CF403		081-31070201-R	FM CERAMIC FILTER, L10.7MA5-A 3PIN	
		093-11070005-R	CERAMIC FILTER CDA10.7MG82 2PIN	
CF404		081-04500000-R	AM CERAMIC FILTER, SFU450B 3PIN	
D403,404,405,406, D407,408,409,410		077-00414801-R	DIODE 1N4148	
IC401		075-TA209901-R	IC:TA2099N	
IC403		075-09257F21-R	IC TC9257F	
L401		079-D2800011-R	AM IFT COIL YELLOW (3A007C)	
L402		079-D2930210-R	AM OSC COIL 3M005 RED	
L403,L404		095-30080002-R	INDUCTOR 8mH 0.5W	
L405		079-R230i010-R	AM ANT COIL (MODEL:452B)	
L408,L409		095-00470001-R	INDUCTOR 47uH 0.5W	
L410		095-30390002-R	FERRITE CORE:39mH	
JK401		082-33070400-R	POD CONNECTOR 30PIN P=0.5MM 180°	
Q401,403,405,406, Q408,409,410,411		076-00C94500-R	TRANSISTOR:2SC945	
Q402		076-09018H00-R	TRANSISTOR:9018H	
Q404		076-00A73300-R	TRANSISTOR:2SA733	
Q414		076-2SK19220-R	MOSFET:2SK192	
VD401,VD402		077-50014901-R	1SV149 (TOSHIBA)	
X401		054-0GP18000-R	FM ANT FILTER GFMB3 <76-108MHZ>	
ZD401,ZD402		077-3005B10H-R	ZENER DIODE 5.0V 0.5W MODEL:HZ5B1	
ZD403		077-3009A20H-R	ZENER DIODE 8.2V 0.5W MODEL:HZ9A2	

SR-L250i

KEY FUNCTION PCB ASSY

REF.NO	TEAC PARTS NO.	PARTS NO.	DESCRIPTION	REMARKS
LED201,203, LED204,205 Q201		100-250i1020-R	KEY FUNCTION PCB ASSY	
		062-R250i002-R	KEY FUNCTION PCB:136×63MM 94-HB REV:00	
		094-06020501-R	BLUE LED: φ3MM	
		076-00C94500-R	TRANSISTOR:2SC945	
Q202.		076-00A73300-R	TRANSISTOR:2SA733	
SW201,202,203, SW204,206,207, SW208,209,210, SW211,212,213, SW214,215		063-0GP28020-R	TACT SW. H=5.0MM	
SW205		063-SLD90001-R	TAA-4PV050-250.(H=5.0MM 250g)	

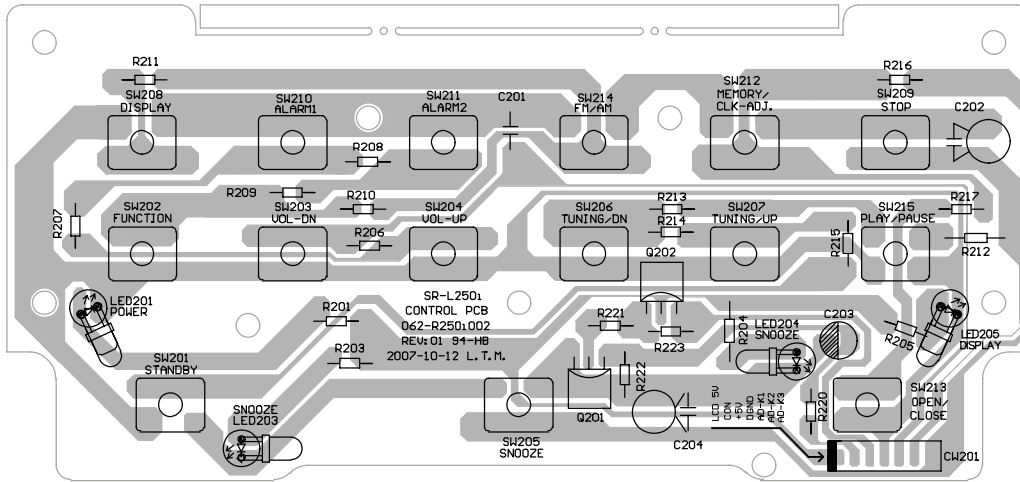
LCD DISPLAYER PCB ASSY

REF.NO	TEAC PARTS NO.	PARTS NO.	DESCRIPTION	REMARKS
IC301 IR301 LCD301		100-250i1030-R	LCD DISPLAYER PCB ASSY	
		062-R250i003-R	LCD DISPLAYER PCB: 164×36MM 94-HB REV:00	
		075-HT162139-R	IC:HT1621B(SSOP-A)	
		083-00LT1000-R	RECEIVE SENSOR <PIC-2031 SMB/F22>	
		080-R250i001-R	LCD DISPLAY SIZE: 93×37.5MM MODEL: <NEW>	

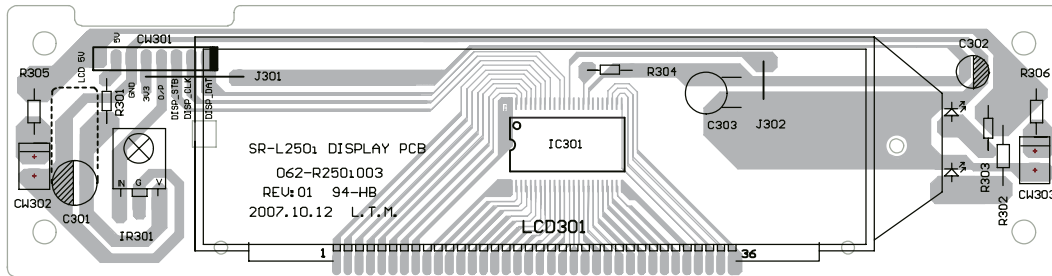
CD PCB ASSY

REF.NO	TEAC PARTS NO.	PARTS NO.	DESCRIPTION	REMARKS
CN501 CN502,506 CN503		100-250i1050-R	CD PCB ASSY	
		062-R250i005-R	CD PCB:116×118MM FR-4 THK=1.0MM REV:00	
		082-52230300-R	FPC CONNECTOR 22PIN P=1.0MM 90°	
		082-20600100-R	CONNECTOR 6PIN P=2.0MM 90°	
		082-50530300-R	FPC CONNECTOR 5PIN P=1.0MM 90°	
CN504		082-20660100-R	CONNECTOR 6PIN P=1.5MM 90°	
CN505		082-41630100-R	FPC CONNECTOR 16PIN P=1.0MM 180°	
IC506		075-11173369-R	IC:LM1117S-3.3V	
IC504		075-024C3229-R	IC:24C32AN	
IC509		075-S3001192-R	IC:AUK S30011	
IC503		075-94A77F31-R	IC:TC94A77FG-203	
L506		052-SRL50010-R	HORIZONTAL FERRITE CORE	
L508		095-00100001-R	INDUCTOR 10uH 0.5W	
Q501		076-00A73300-R	TRANSISTOR:2SA733	
Q502		076-00C94500-R	TRANSISTOR:2SC945	
XT501		093-11693442-R	XTAL 16.9344MHz	
XT402		093-07200002-R	XTAL 7.2MHZ	

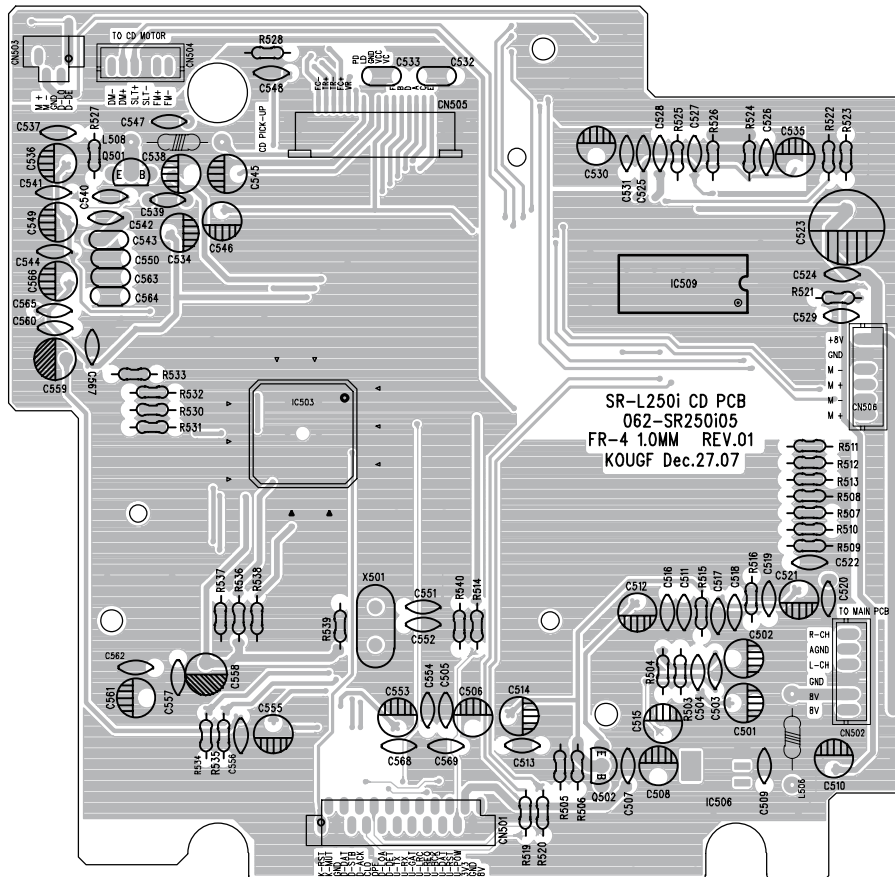
KEY FUNCTION PCB



LCD DISPLAYER PCB



CD PCB



SR-L250i

CD DOOR SWITCH ASSY

REF.NO	TEAC PARTS NO.	PARTS NO.	DESCRIPTION	REMARKS
SW601		100-250i1090-R 062-R250i006-R 063-R250i221-R	CD DOOR SWITCH PCB ASSY CD DOOR SWITCH PCB: 20×50MM 94-HB REV:00 CD DOOR SWITCH:PB-22E70	

MEMORY BATTERY PCB ASSY

REF.NO	TEAC PARTS NO.	PARTS NO.	DESCRIPTION	REMARKS
		100-230i2060-R 062-R230i008-R	MEMORY BATTERY PCB ASSY MEMORY BATTERY PCB: 33×49MM 94-HB REV:00	

iPod JACK PCB ASSY

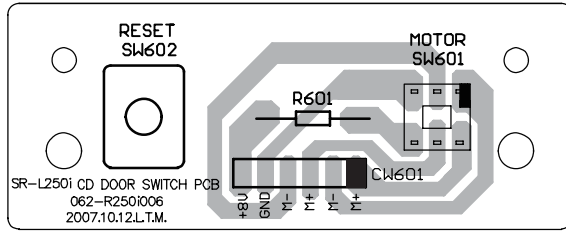
REF.NO	TEAC PARTS NO.	PARTS NO.	DESCRIPTION	REMARKS
		100-230i2070-R 062-L230i002-R	iPod JACK PCB ASSY iPod JACK PCB 84×35MM FR-4 THK=0.8MM REV:00	

REMOTE CONTROL PCB ASSY

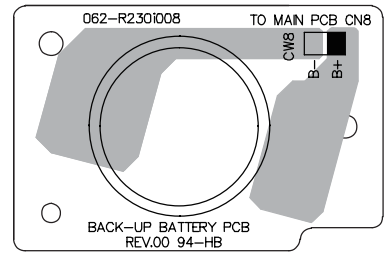
REF.NO	TEAC PARTS NO.	PARTS NO.	DESCRIPTION	REMARKS
IC01		100-230i2080-R	REMOTE CONTROL PCB ASSY	
IR01		062-L230i005-R	REMOTE CONTROL PCB: 107×49MM FR-4 THK=1.0MM REV:00	
Q01		075-00222120-R	IC:PT2221-001 ISD10C KBAN4	
		077-20020401-R	INFRARED LED Φ3.0MM:IR204	
		076-00C94500-R	TRANSISTOR:2SC945	
XT01		093-A4550001-R	RESONATOR CSB455E 2PIN	

SR-L250i

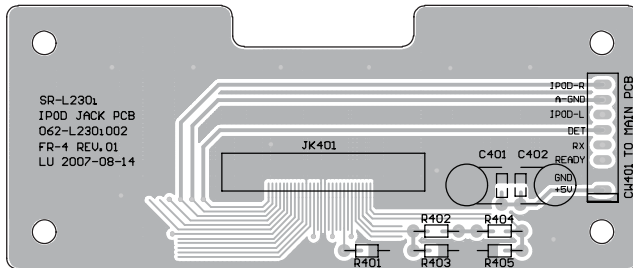
CD DOOR SWITCH PCB



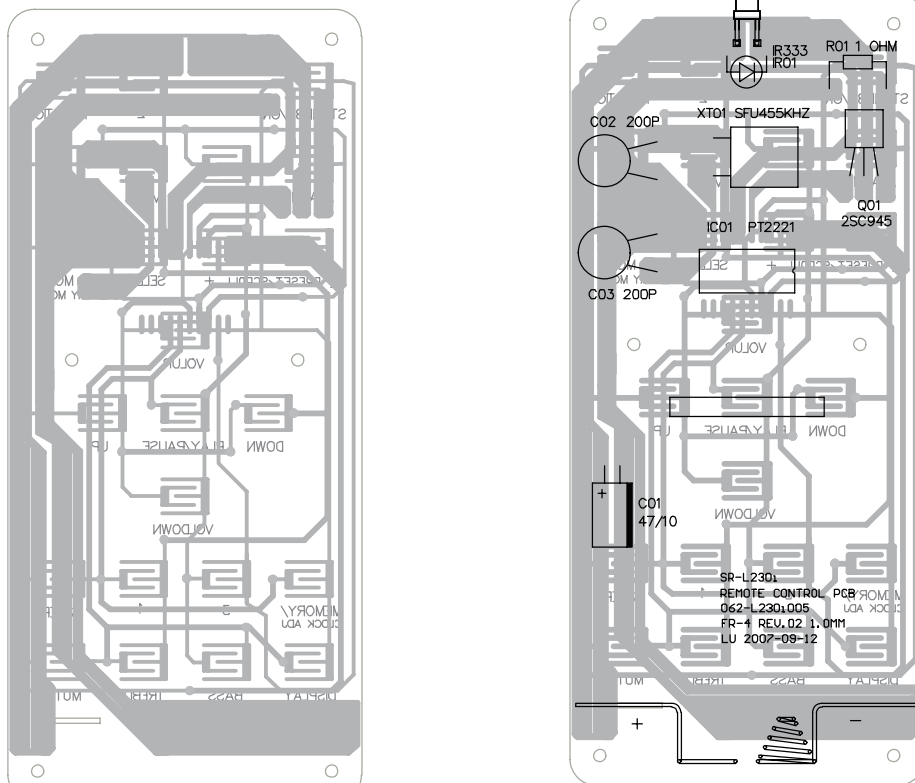
MEMORY BATTERY PCB



iPod JACK PCB



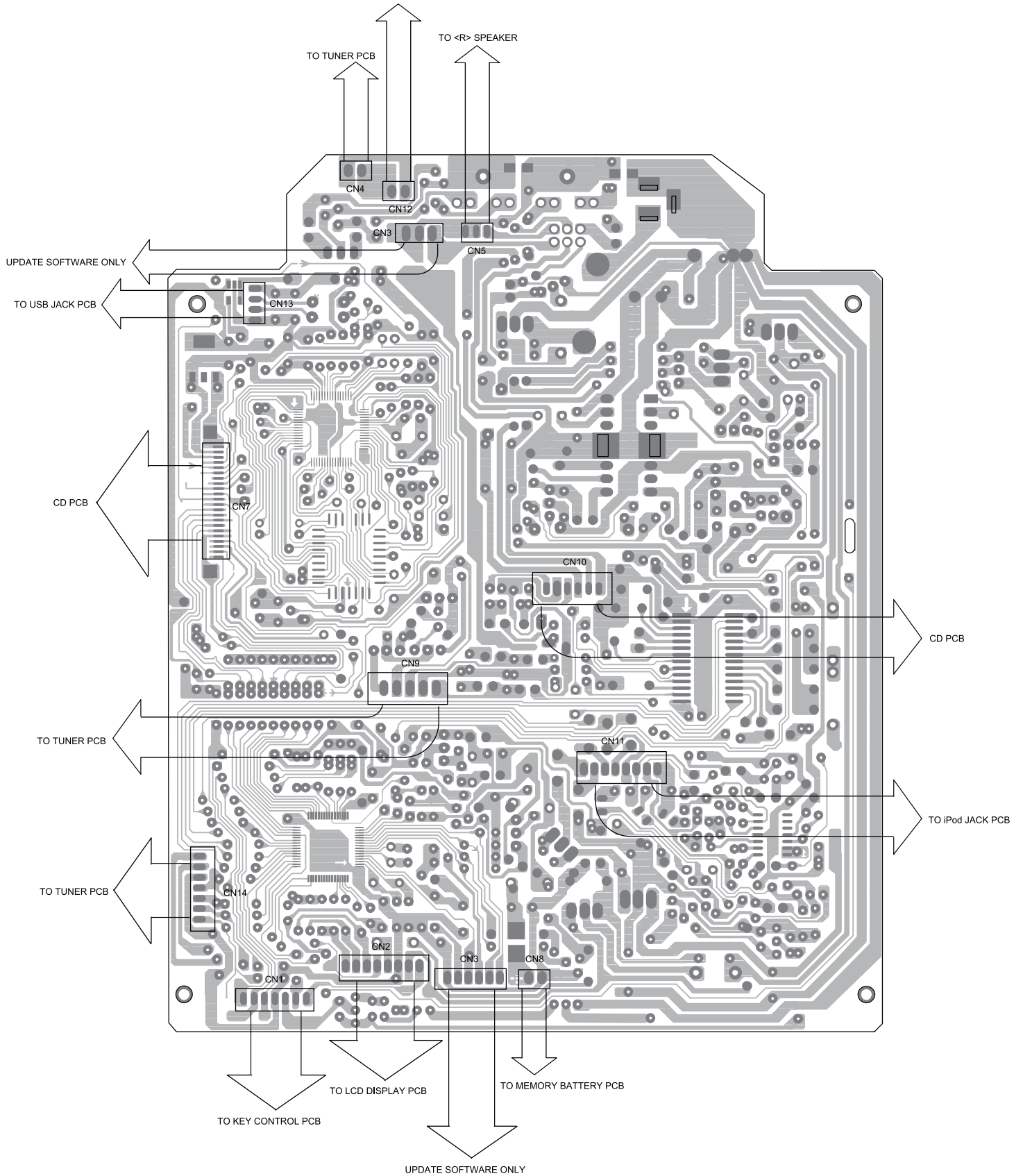
REMOTE CONTROL PCB



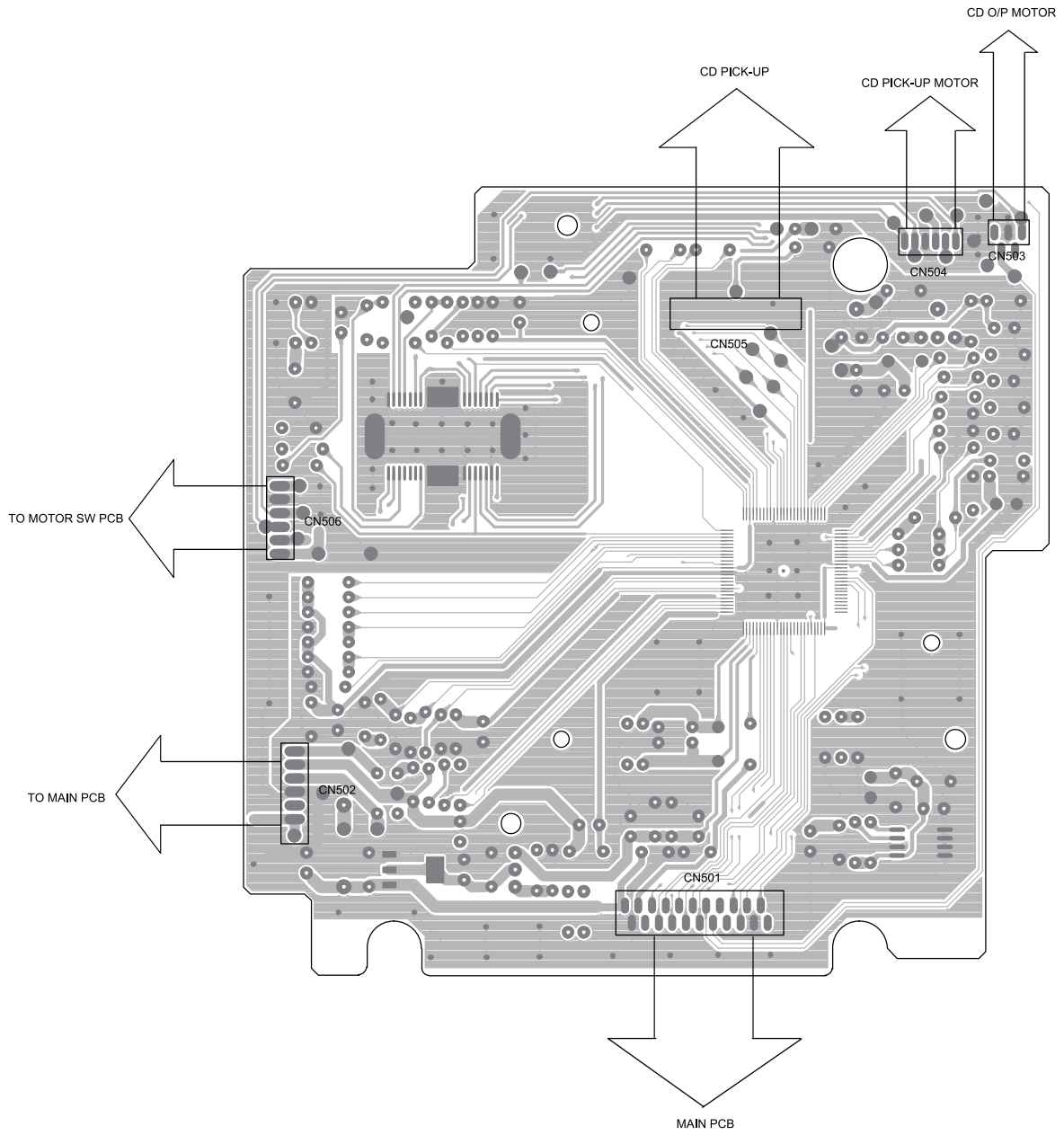
SR-L250i

6 WIRING DIAGRAM

MAIN PCB



CD PCB



SR-L250i

7 INCLUDED ACCESSORIES

INCLUDED ACCESSORIES

REF.NO	TEAC PARTS NO.	PARTS NO.	DESCRIPTION	REMARKS
		046-R250E010-R	INSTRUCTION BOOK (E/F/D/I/NE/SP)	
		046-R250J010-R	INSTRUCTION BOOK (JAP)	
		099-47KL300i-R	BATTERY:CR2032 DC:3V	
			REMOTE CONTROL HANDSET	WHITE
			REMOTE CONTROL HANDSET	BALCK
		002-230W0300-R	iPod DOCK ADAPTOR <A> MINI <WHITE>	
		002-230W0400-R	iPod DOCK ADAPTOR 20GB <WHITE>	
		002-230W0600-R	iPod DOCK ADAPTOR <D> PHOTO 40/60GB <WHITE>	
		002-230W0800-R	iPod DOCK ADAPTOR <E> NANO G3 <WHITE>	
		002-230W0900-R	iPod DOCK ADAPTOR <F> TOUCH <WHITE>	
		002-230W0700-R	iPod NANO <WHITE>	
		002-230B0300-R	iPod DOCK ADAPTOR <A> MINI <BLACK>	
		002-230B0400-R	iPod DOCK ADAPTOR 20GB <BLACK>	
		002-230B0600-R	iPod DOCK ADAPTOR <D> PHOTO 40/60GB <BLACK>	
		002-230B0800-R	iPod DOCK ADAPTOR <E> NANO G3 <BLACK>	
		002-230B0900-R	iPod DOCK ADAPTOR <F> TOUCH <BLACK>	
		002-230B0700-R	iPod NANO <BLACK>	
		084-250E0200-R	AC ADAPTER EUR AC:230V/50Hz DC:12V 1300mA L=1.5M(BLK)	
		084-250E0201-R	AC ADAPTER EUR AC:230V/50Hz DC:12V 1300mA L=1.5M(WHI)	
		084-250K0100-R	AC ADAPTER UK AC:230V/50Hz DC:12V 1300mA L=1.5M(BLK)	EUR/UK
		084-250K0101-R	AC ADAPTER UK AC:230V/50Hz DC:12V 1300mA L=1.5M(WHI)	EUR/UK
		084-250J0200-R	AC ADAPTER UL AC:100V/60Hz DC:12V 1300mA L=1.5M(BLK)	JP
		084-250J0201-R	AC ADAPTER UL AC:100V/60Hz DC:12V 1300mA L=1.5M(WHI)	JP

SR-L250i

TEAC

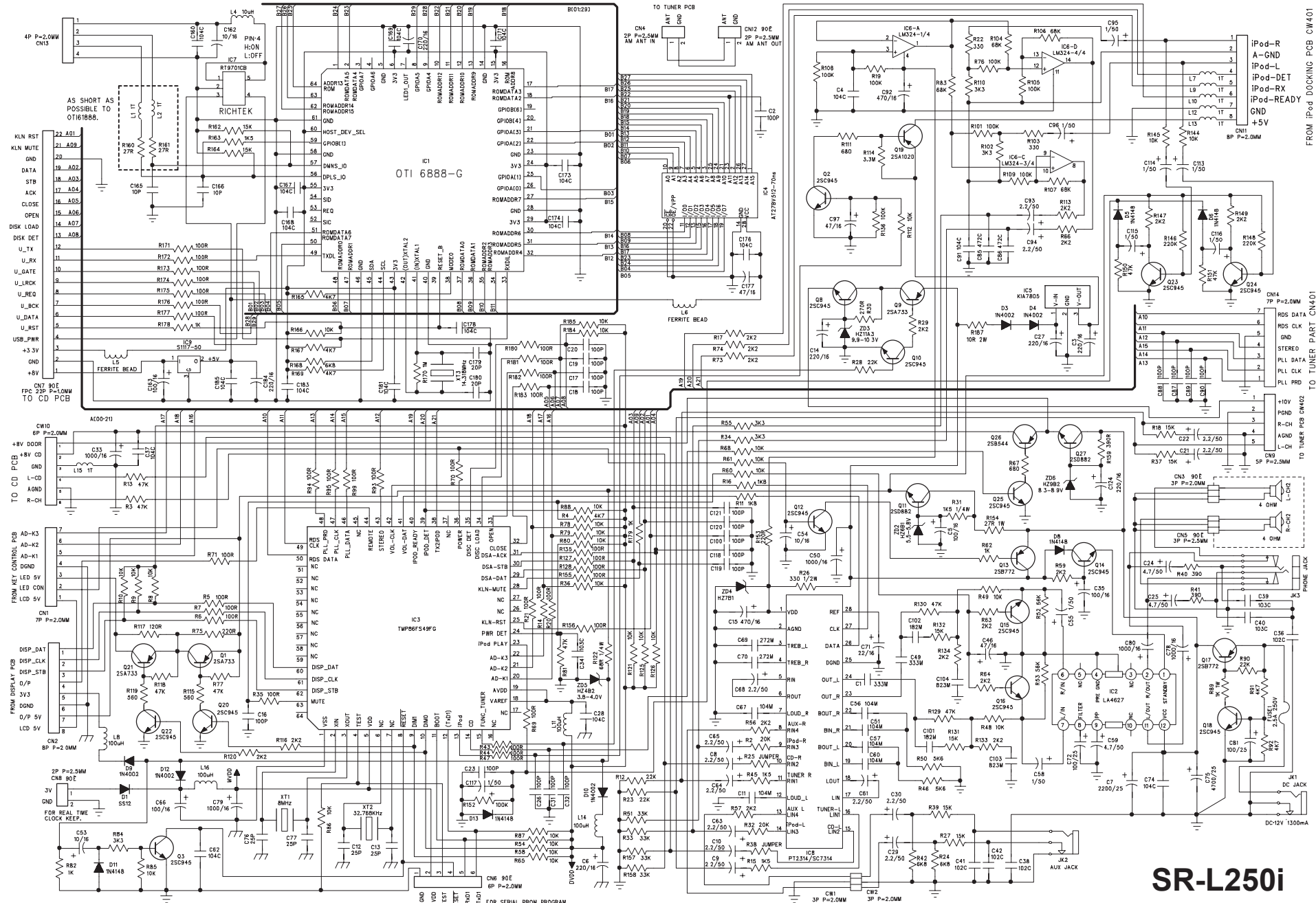
DTE-SM0801001

TEAC CORPORATION	1-47, Ochiai, Tama-shi, Tokyo 206-8530, Japan Phone:(042)356-9155
TEAC AMERICA, INC.	7733 Telegraph Road, Montebello, California 90640 Phone: (323)726-0303
TEAC CANADA LTD.	5939 Wallace Street, Mississauga, Ontario L4Z 1Z8, Canada Phone: (905)-890-8008
TEAC MEXICO, S.A.De C.V.	Campeños N°184, Colonia.Granjas Esmeralda, Delegacion Iztapalapa, CP 09810, Mexico DF Phone: (525)-581-5500
TEAC UK LIMITED	Unit 19 & 20, The Courtyards, Hatters Lane, Watford, Hertfordshire, WD18 8TE5, U.K. Phone:(0845) 130-2511
TEAC EUROPE GmbH	Bahnstrasse 12, 65205 Wiesbaden-Erbenheim, Germany Phone: 0611-71580
TEAC ITALIANA S.p.A.	Via C, Cantu 9/A, 20092 Cinisello Balsamo, Milano, Italy Phone:02-66010550
TEAC AUSTRALIA PTY., LTD.	280 William Street, Melbourne VIC 3000, Australia Phone:(03)9672-2400
A.B.N. 80 005 408 462	

JAN 2008

PREPARED IN CHINA

MAIN/USB PCB



SR-L250i
AM/FM STEREO DIGITAL
RADIO Hi-Fi TABLE iPod PLAYER

FROM iPod DOCKING PCB CW401

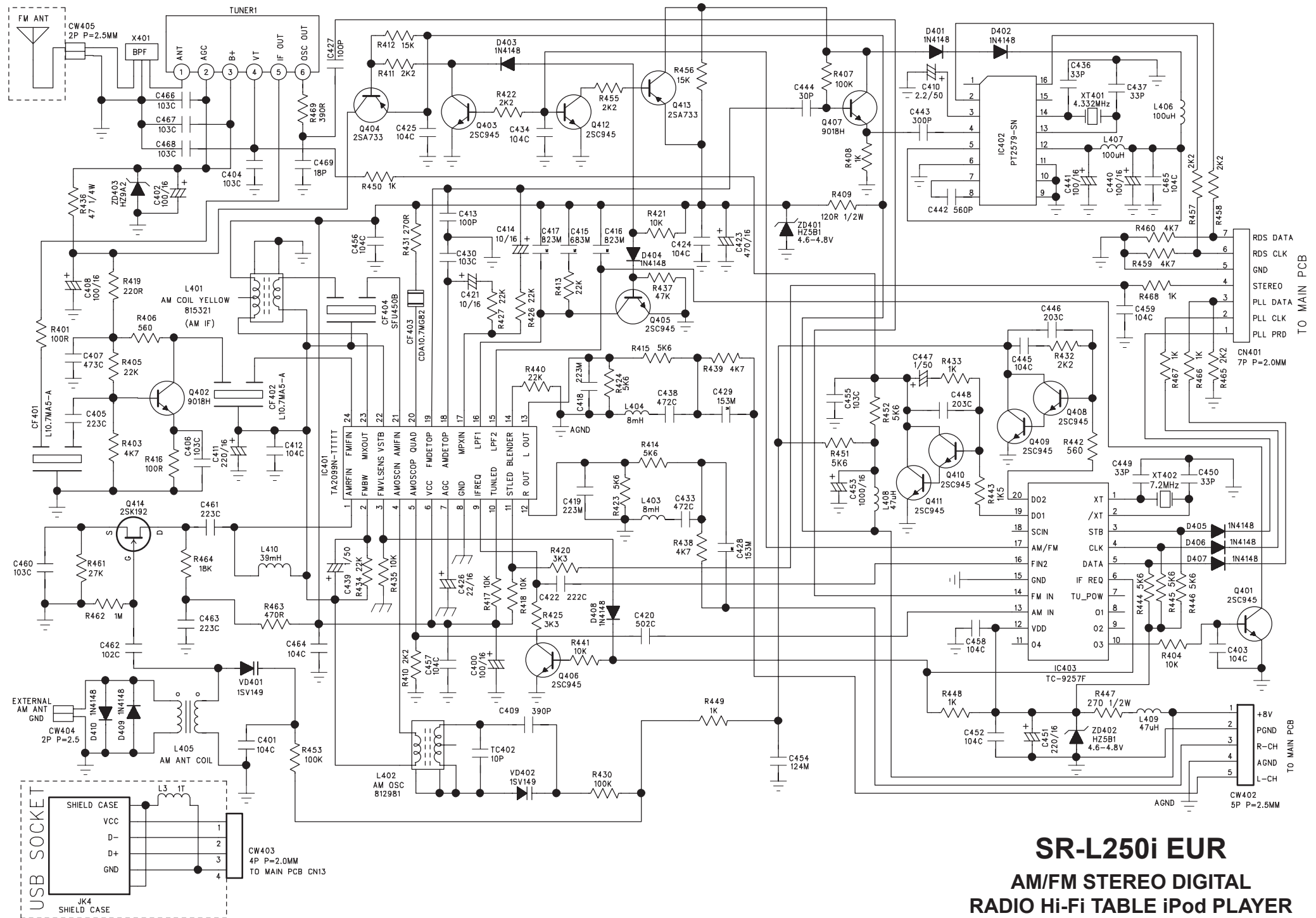
TO TUNER PART CN401

TO TUNER PCB CW402

PHONE JACK

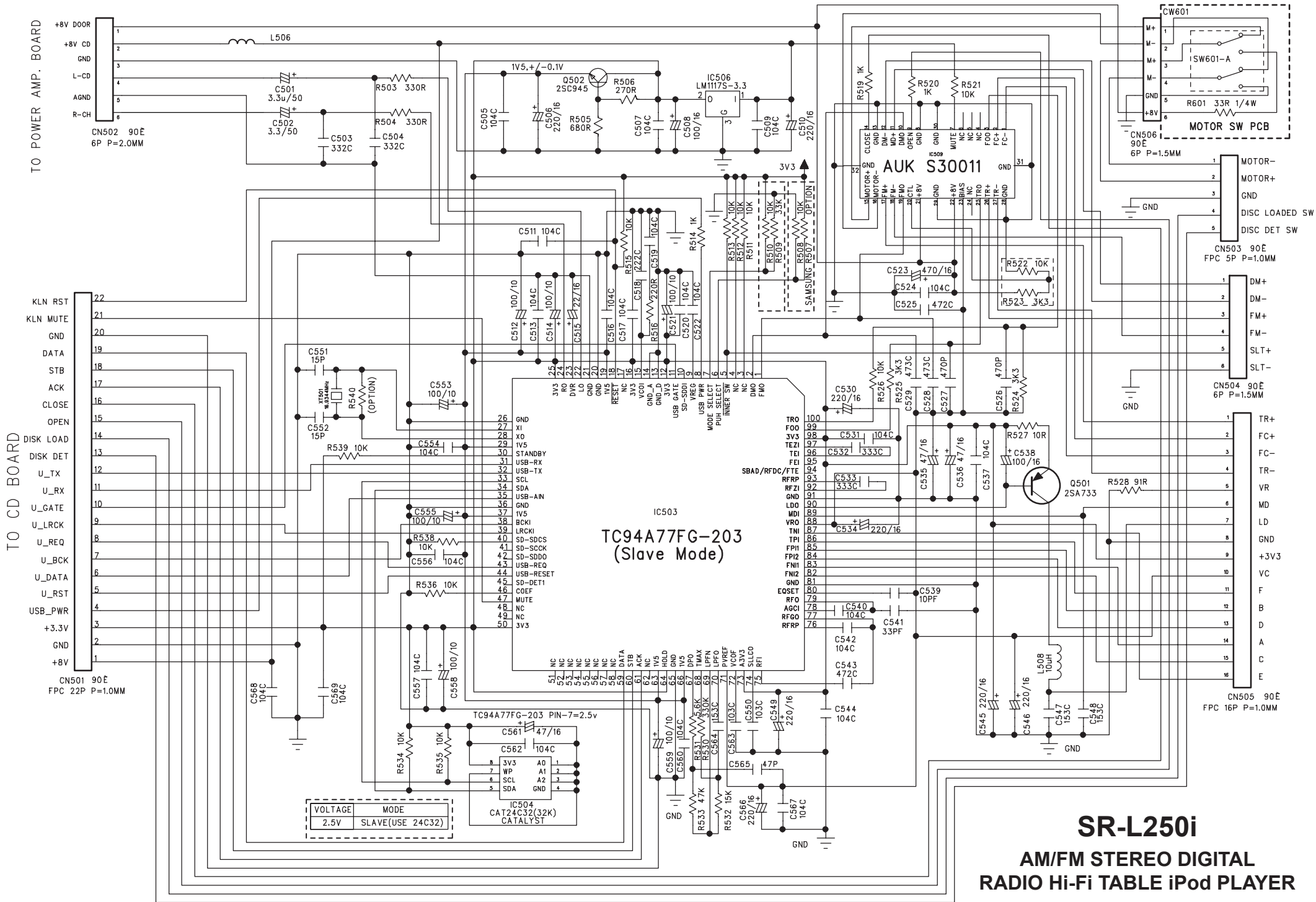
DC JACK

TUNER PCB



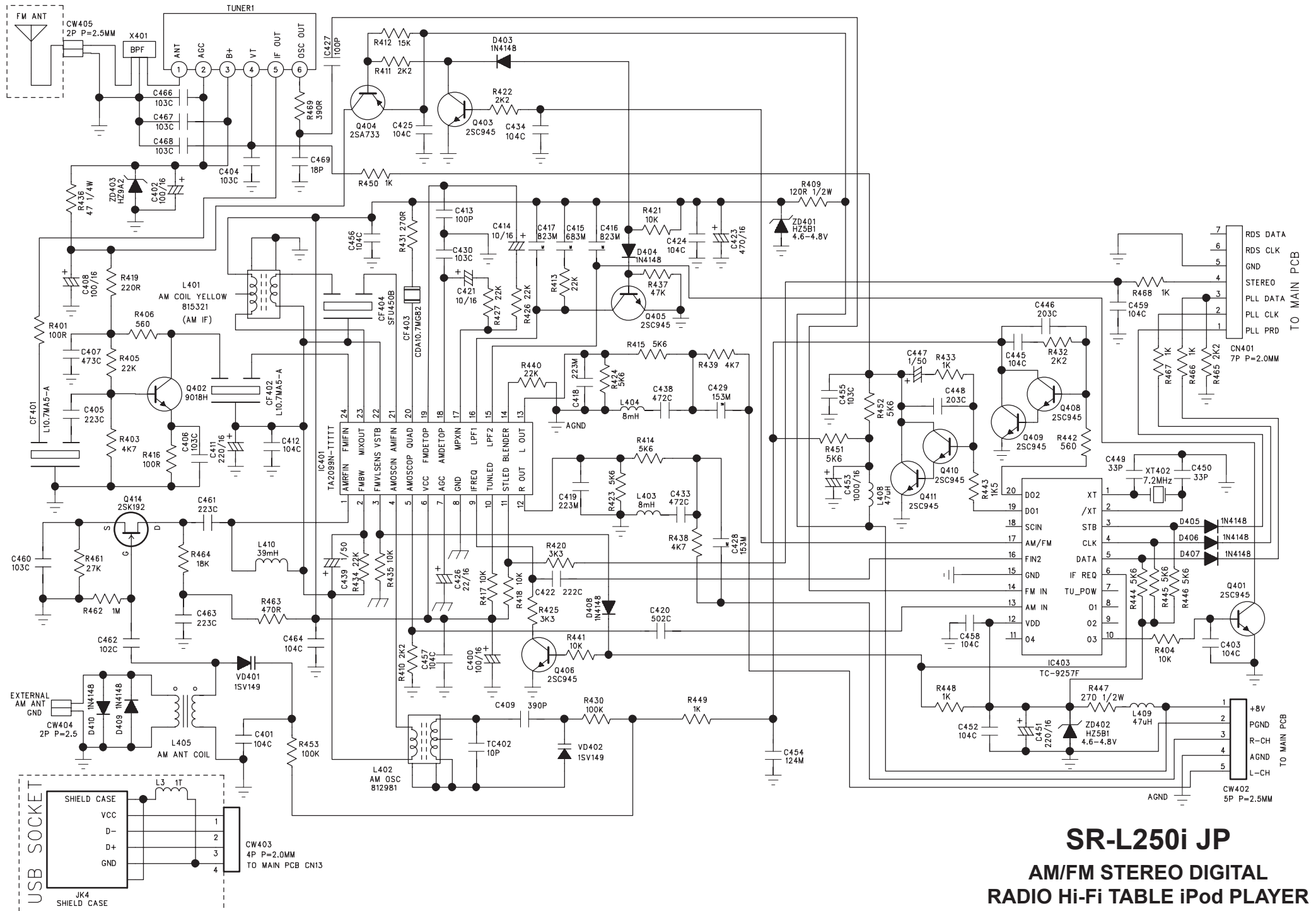
SR-L250i EUR
AM/FM STEREO DIGITAL
RADIO Hi-Fi TABLE iPod PLAYER

CD PCB



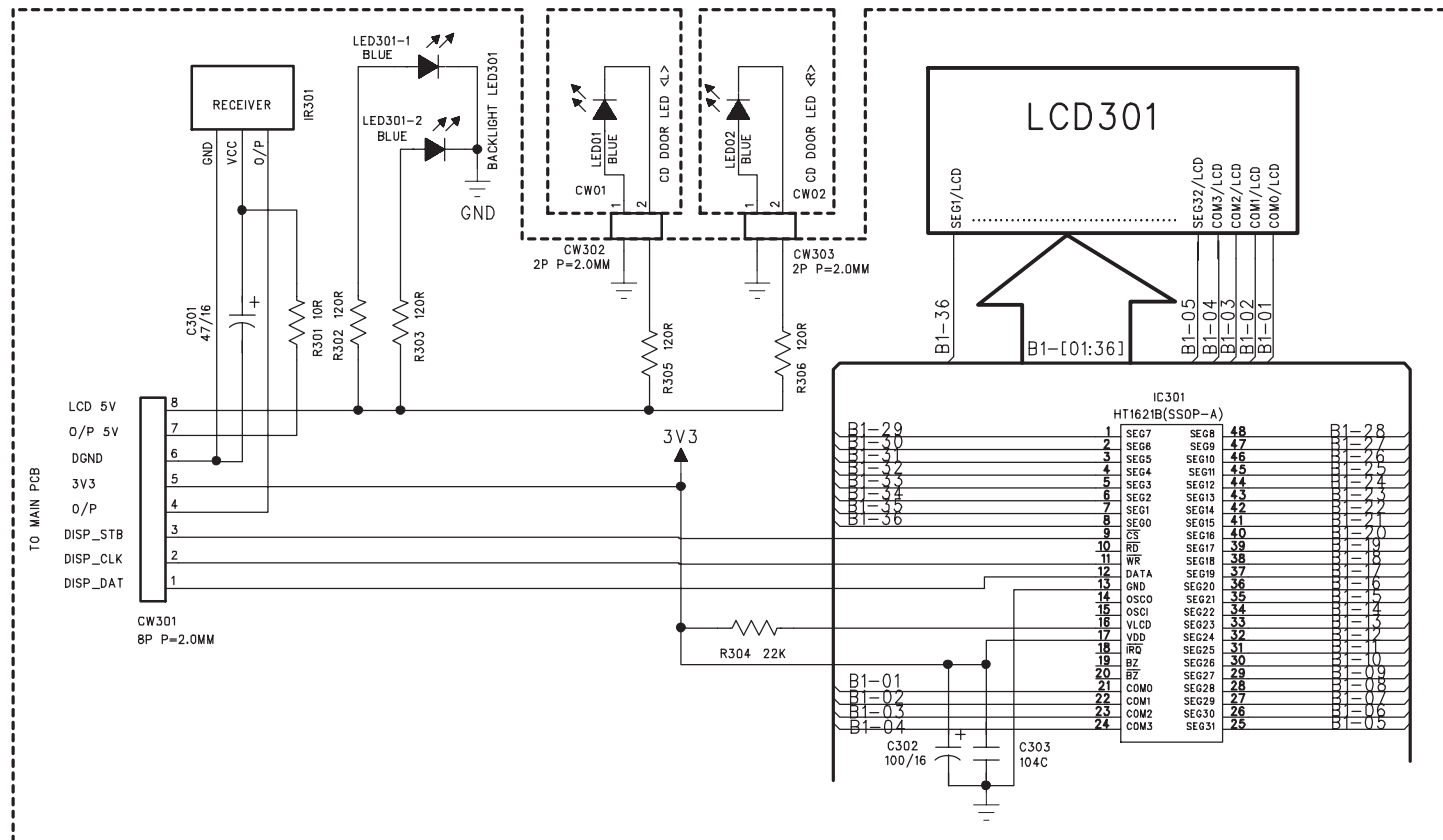
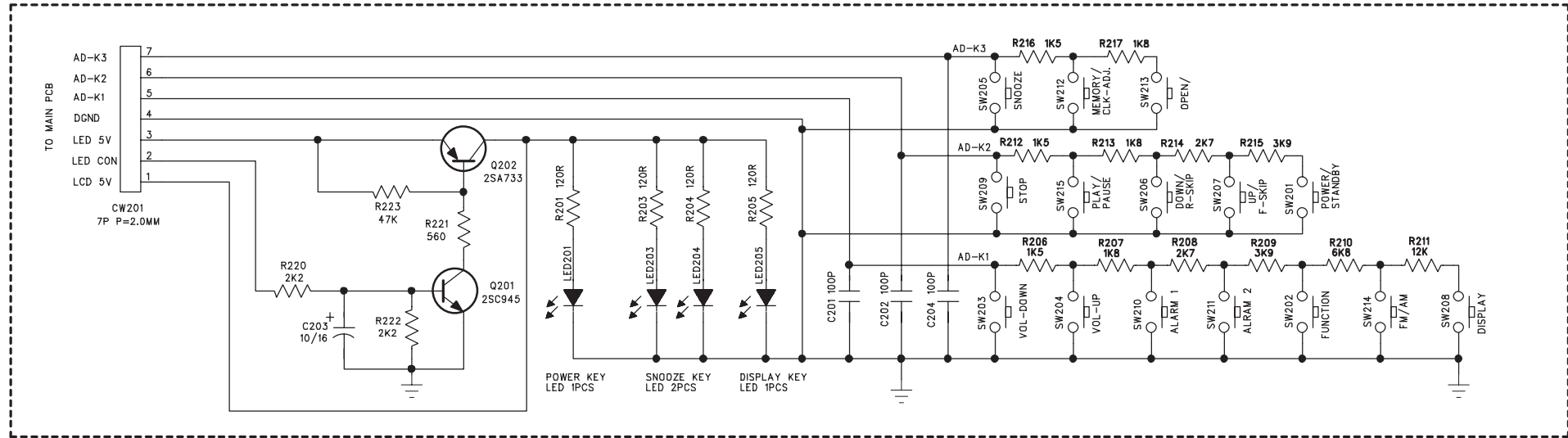
SR-L250i
AM/FM STEREO DIGITAL
RADIO Hi-Fi TABLE iPod PLAYER

TUNER PCB



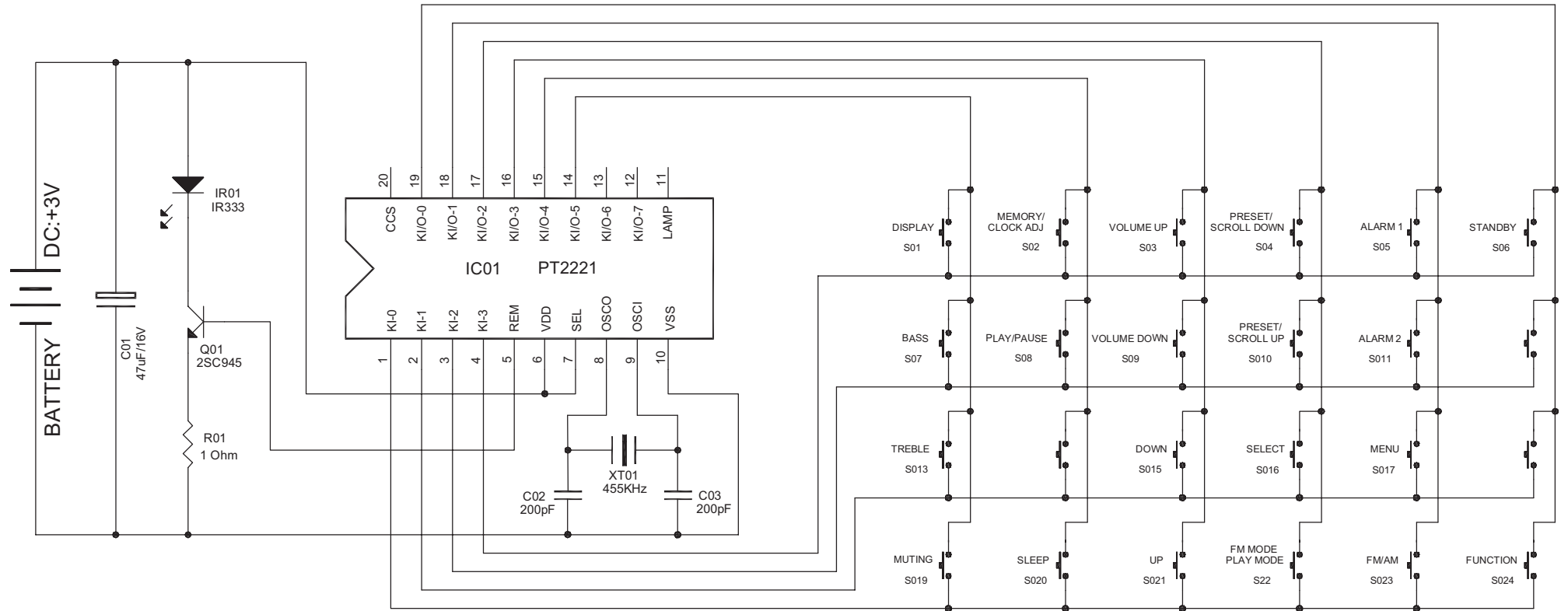
SR-L250i JP
AM/FM STEREO DIGITAL
RADIO Hi-Fi TABLE iPod PLAYER

DISPLAY & KEY FUNCTION PCB



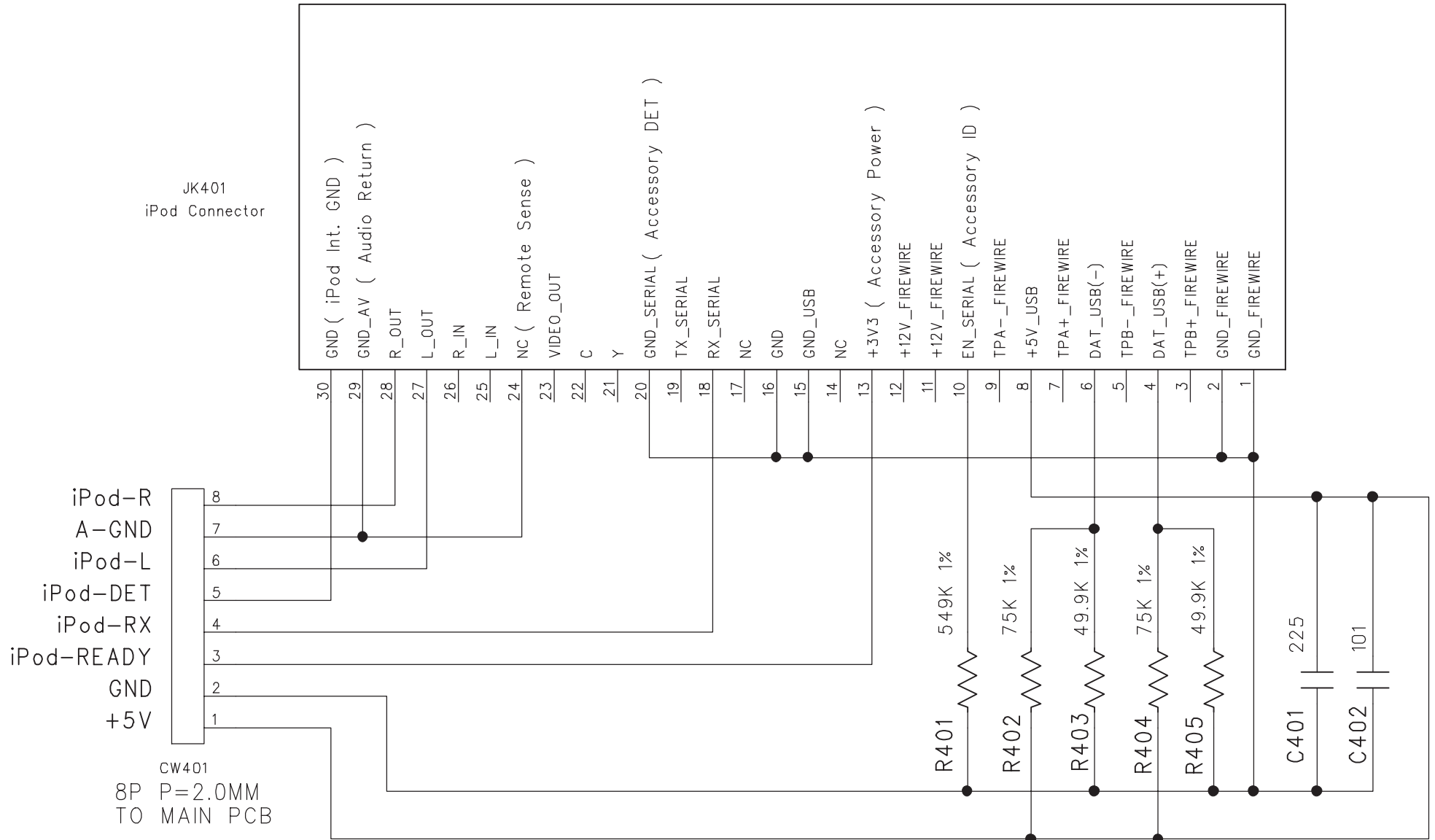
SR-L250i
AM/FM STEREO DIGITAL
RADIO Hi-Fi TABLE iPod PLAYER

REMOTE CONTROL PCB



SR-L250i
AM/FM STEREO DIGITAL
RADIO Hi-Fi TABLE iPod PLAYER

iPod CONNECTOR PCB



SR-L250i
AM/FM STEREO DIGITAL
RADIO Hi-Fi TABLE iPod PLAYER